

# HLF Furniture Casework Specification Sheet

## Project Information

Page \_\_\_\_\_ of \_\_\_\_\_  
(for varying colors or specifications use a separate form for each)

Project Name \_\_\_\_\_  
 Location \_\_\_\_\_  
 Architect \_\_\_\_\_  
 Dealer \_\_\_\_\_  
 Address \_\_\_\_\_  
 City \_\_\_\_\_ State \_\_\_\_\_ Zip Code \_\_\_\_\_  
 Telephone \_\_\_\_\_ Fax \_\_\_\_\_

Application  Entire Project (OR)  Specific Area, Department or Room(s) \_\_\_\_\_

### Finishes

- Door & Drawer Fronts, Open Interiors & Finished Ends  GP28 High Pressure Laminate "Standard, Matte" colors from Pionite, Nevamar, Formica or Wilson Art selections. Specify selection: \_\_\_\_\_
- Closed Interiors  Melamine Laminate in Frosty White, Natural Almond or Smoke Grey. Specify selection: \_\_\_\_\_

### Edging

- Door, Drawer Fronts & Open Cabinet Leading Edges
- 3mm PVC available in (20) selections, see Palette '97. Specify selection: \_\_\_\_\_  
 (OR)
- .018 PVC to match door & drawer front color selection. (GP28 Laminate Self Edge to match door & drawer color selection to be used if .018 PVC is unavailable.)

### Hardware

- Door & Drawer Pulls  96mm "D" Pull available in Matte Chrome, Black, White, Almond or Grey. Specify selection: \_\_\_\_\_
- Hinges  5 Knuckle, Hospital-tipped, Institutional, 270 degree Hinge available in Matte Chrome, Black or White. Specify selection: \_\_\_\_\_ (OR)
- 110 Degree, Concealed, Self-closing, European Hinge
- Slides  3/4 Extension, 100 lb. Load Capacity, Epoxy-coated White Slides on all box drawers
- Full Extension, 100 lb. Load Capacity Slides on all File drawers
- Integral Metal Drawer Side/Slide on all paper storage units (cabinets with 5 or more drawers and 30" or wider)
- Locks  Not Required
- 5-Disc Tumbler Lock with a Matte Black Finish
- Keyed Alike per Room or Area
- Keyed Different per Room or Area (consult factory for master key availability)
- Multi-Drawer Cabinets
- Gang Locked with One Core
- Individually Locked with Separate Cores

### Construction

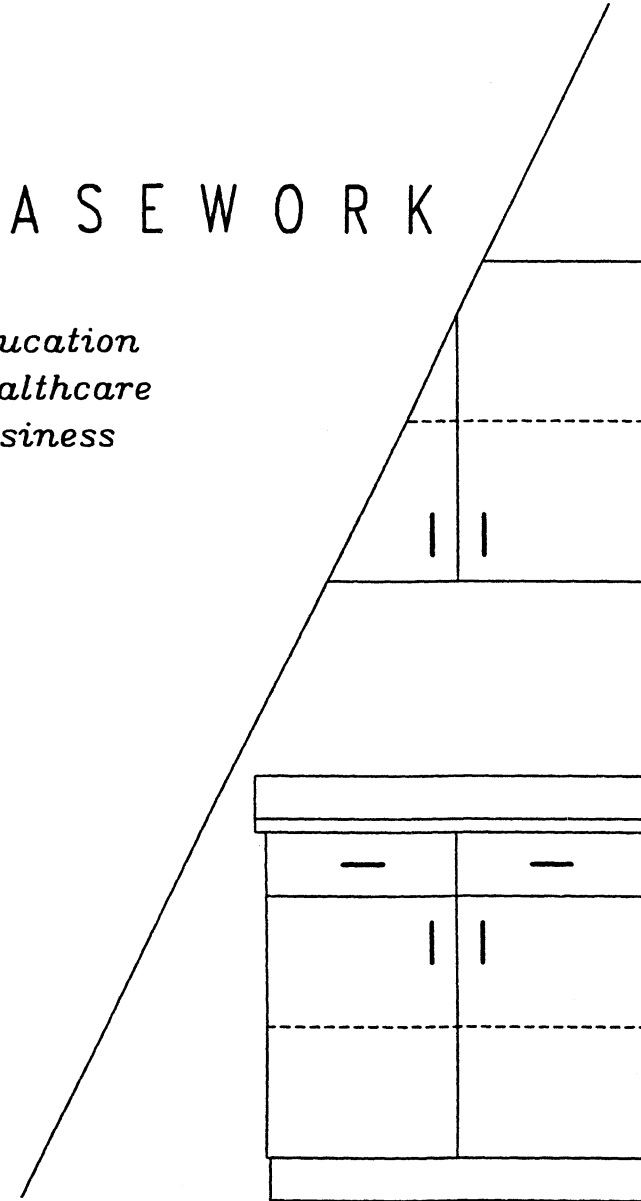
- Toebases - Are furnished unfinished and must be finished with a customer supplied covering.
- Particle Board Attached Base (constructed separately)
- Plywood Lengths, 4" x 96", for field construction and installation by others

### Countertops

- Countertops are not to be included.
- Countertops are to be included. GP50 High Pressure Laminate "Standard, Matte" colors from Pionite, Nevamar, Formica or Wilson Art selections. Specify selection: \_\_\_\_\_
- 1 1/4" Nominal height with a Post-applied GP28 self edge to match countertop color.
- 1 1/4" Nominal height top with a 3mm PVC edge. (20) Color selections from Palette '97. Specify Selection: \_\_\_\_\_
- \*Countertops are supplied with a detached, 4"h x 3/4" thick backsplash for field installation by others.
- Sidesplashes are required, finish will match countertop laminate selection with a laminate self edge.

CASEWORK

Education  
 Healthcare  
 Business



**FINISHES**

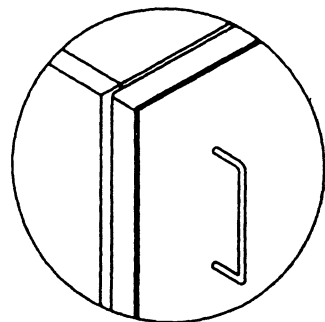
- GP28 High Pressure Laminate on Exposed Surfaces including Door & Drawer fronts, Open Cabinet Interiors and Exposed Cabinet Ends
- Melamine Laminate on Semi-Exposed Surfaces including Closed Cabinet Interiors and Wall Cabinet Bottoms
- Wall & Tall Cabinet Tops are finished to match the Closed Cabinet Interior Color Selection

**EDGES**

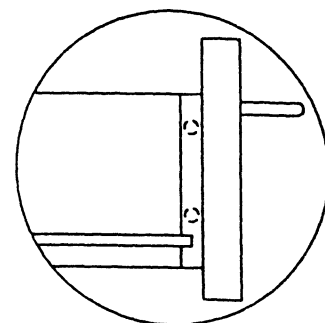
- Door & Drawer Fronts and Open Cabinet Leading Edges are finished in 3mm PVC from (20) Color Selections (or) .018 PVC to match the Exposed Color Selection
- Closed Cabinet Edges are finished in .018 PVC to match the Exposed Color Selection (GP28 Self Edge Laminate will be used if .018 PVC is unavailable)
- Wall & Tall Cabinets will receive .018 PVC on the Top Sidepanel Edges to match the Interior Melamine Laminate Selection

**CONSTRUCTION**

- All Cases are Constructed of 3/4" Particle Board Substrate and utilize 8mm Hardwood Dowel Construction
- All Door & Drawer Fronts Feature Overlay Construction Style



- Drawers Constructed of 1/2" Particle Board Substrate & 1/4" Tempered Hardboard Bottoms and feature 8mm Hardwood Dowel Construction. All Exposed Surfaces are finished in White Melamine Laminate.



- Toebases are furnished Unfinished and offered:  
Attached - Constructed Separately from 3/4" Particle Board Substrate & attached to the case at the factory (or)  
Detached - Sent in 4" x 96" Plywood Lengths, supplied for field construction and installation by others



**HARDWARE**

- Handles are 96mm, Wire "D" Pulls
- Hinges are offered in (2) Styles:  
5 Knuckle, Hospital-tipped, Institutional, 270 degree Swing (or)  
110 degree, Self-Closing, Concealed European Style
- Drawer Slides are standard as follows:  
Box Drawers - Are Equipped with 3/4 Extension, 100 lb. Load Capacity, Epoxy-coated White Slides  
File Drawers - Are Equipped with Full Extension, 100 lb. Load Capacity, Zinc Plated Slides  
Paper Storage Drawers - Feature an Epoxy-coated White Metal Drawer Side with an integral 3/4 Extension Slide and a 1/2" Melamine Laminate Bottom for superior drawer strength
- 5-Disc Tumbler Locks are available with a Matte Black Finish
- Shelf Clips are Injection-molded, Polycarbonate, Twin-pin Design with an Anti-tip Retaining Clip capable of accommodating both 3/4" and 1" Shelves

**COUNTERTOPS**

- All Tops are Nominal 1 1/4" Thickness finished with GP50 High Pressure Laminate on 1 1/8" Particle Board. Edge options include: Laminate Self Edge (or) 3mm PVC. When specifying tops, use the overall sizes (width and depth) including overhangs. A plan view of the countertop should be submitted for determination of seam locations. Maximum countertop length is 120".

**To Request a Quotation or Place an Order**

All quote requests and orders must be submitted in an itemized format. Use the HLF Furniture Casework Product Guide to obtain model numbers of the desired cabinet types. The Specification Sheet on the back of this page must be submitted with the Project Take-Off. Please specify Quantity, Model Number and location of Finished Ends on Cabinets and Countertops. Finish end designations are as follows: FER-Finish End Right, FEL-Finish End Left and FEB-Finish End Both. The following take-off is representative of the configuration shown to the above left.

Quantity	Model Numbers-Finished Ends	Actual Sizes
1	W01361436-FEL	36 x 14 x 36
1	B22362436-FEL	36 x 24 x 34 1/2
1	T11362484-FEB	36 x 24 x 84
1	TOP3725-FEB	37 x 25