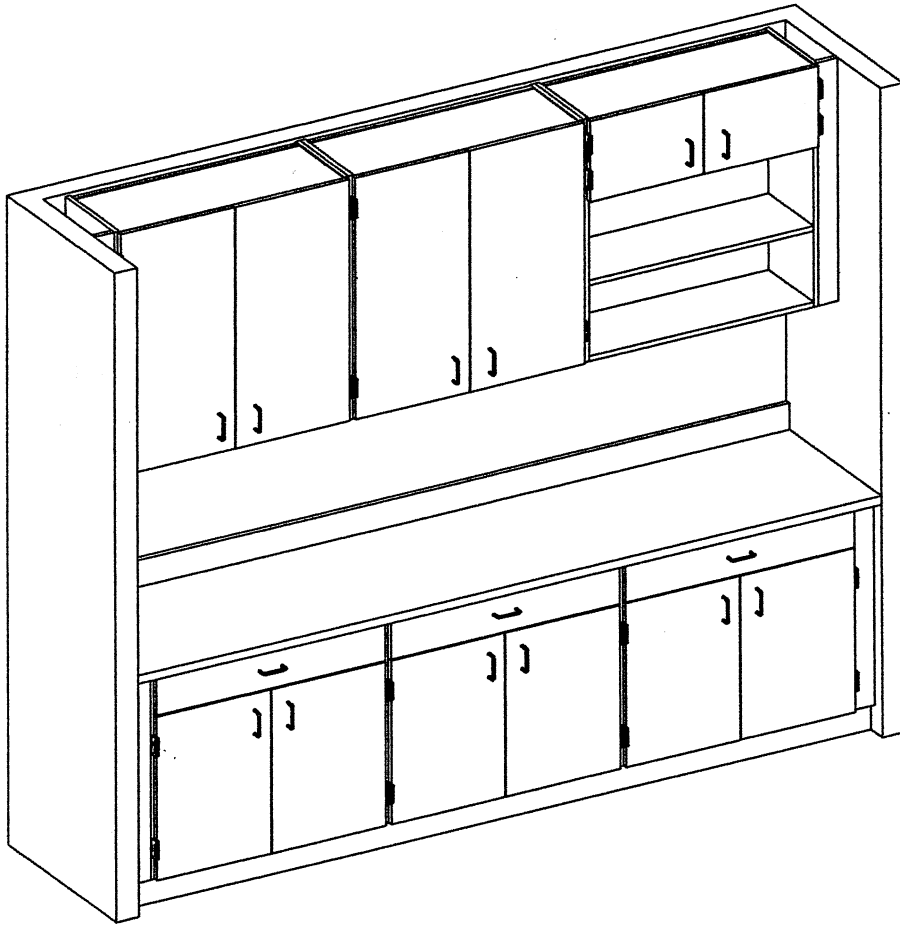


Any Questions
or Concerns
PH: (734) 697-3000
FAX: (734) 697-3008
E-MAIL: www.hlffurniture.com

CASEWORK™

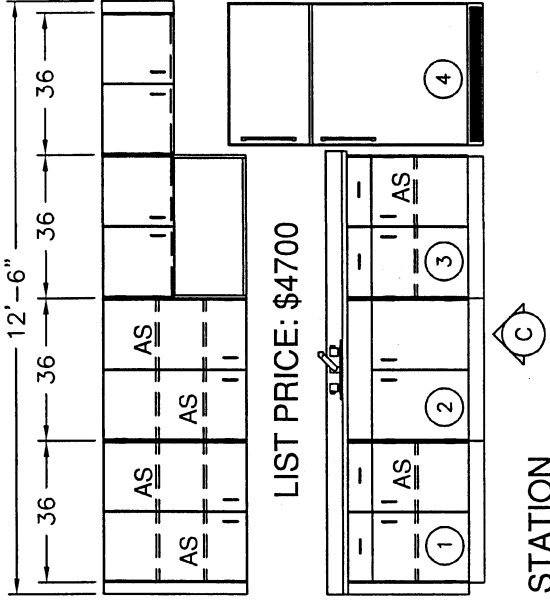
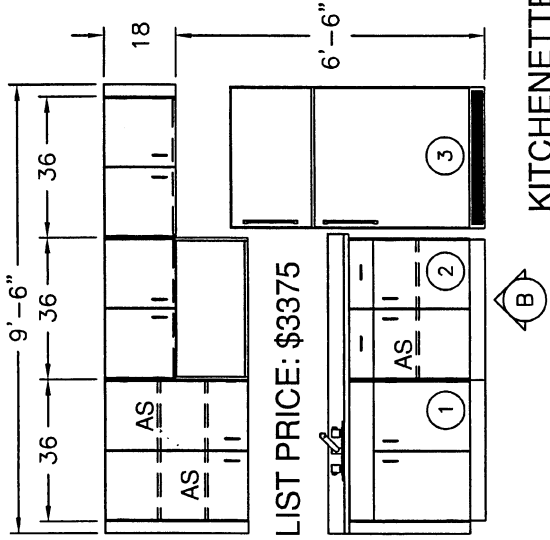
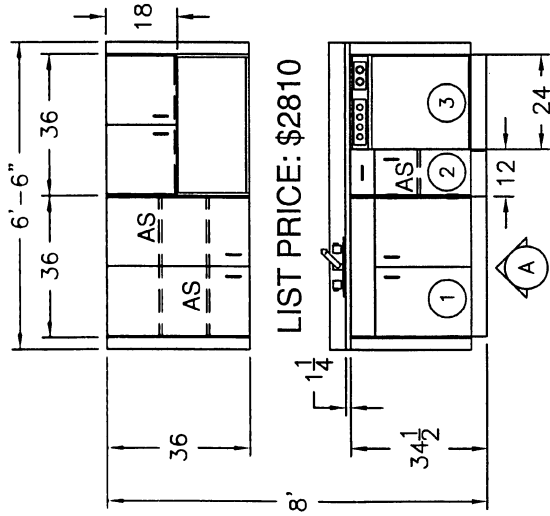


EDUCATION
HEALTHCARE
BUSINESS

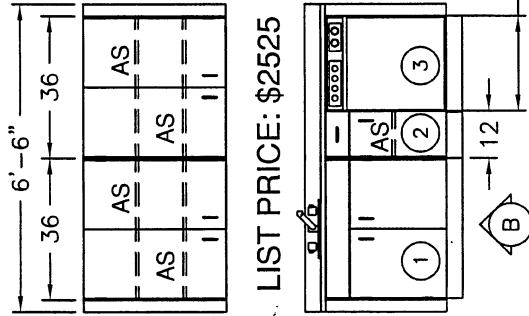
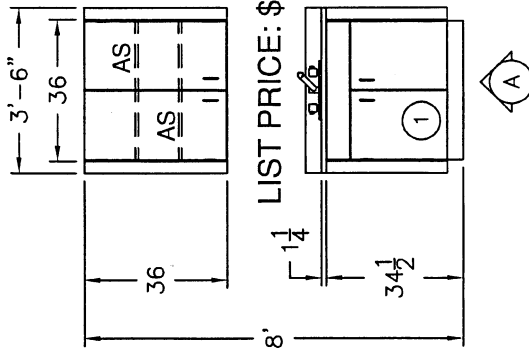
Application Guide

Effective Date: 2-12-03





COFFEE STATION



NOTE:

- APPLIANCES SHOWN ARE NOT INCLUDED

DRAWN: D.BRANUM
 DATE: 1-3-03
 DRAWING #: 1

NOTES:
 -ALL DIMENSIONS IN INCHES
 -DRAWING NOT TO SCALE

ACK #:
 REF.:
 ELEV.:

KITCHENETTE/COFFEE STATIONS

PROJECT: CASEWORK STANDARDS
 DEALER: #



KITCHENETTE STATION OPTIONS:

A - 6'-6" O.A.L.

1. SINK BASE CABINET AND UPPER CABINET WITH ADJ. SHELVES.
 2. SMALL BASE CABINET WITH 24" OPENING AND UPPER CABINET WITH MICROWAVE SHELF.
- FILLERS PROVIDED

B - 9'-6" O.A.L.

1. SINK BASE CABINET AND UPPER CABINET WITH ADJ. SHELVES.
 2. BASE CABINET AND UPPER CABINET WITH MICROWAVE SHELF.
 3. 36" OPENING WITH UPPER CABINET
- FILLERS PROVIDED

C 12'-6" O.A.L.

1. BASE CABINET AND UPPER CABINET WITH ADJ. SHELVES.
 2. SINK BASE CABINET AND UPPER CABINET WITH ADJ. SHELVES.
 3. BASE CABINET AND UPPER CABINET WITH MICROWAVE SHELF.
 4. 36" OPENING WITH UPPER CABINET
- FILLERS PROVIDED

COFFEE STATION OPTIONS:

A - 3'-6" O.A.L.

1. SINK BASE CABINET AND UPPER CABINET WITH ADJ. SHELVES.
- FILLERS PROVIDED

B - 6'-6" O.A.L.

1. SINK BASE CABINET AND UPPER CABINET WITH ADJ. SHELVES.
 2. SMALL BASE CABINET WITH 24" OPENING AND UPPER CABINET WITH MICROWAVE SHELF
- FILLERS PROVIDED



HLF
FURNITURE

KITCHENETTE/COFFEE STATION NOTES

PROJECT: CASEWORK STANDARDS

DEALER: #

ACK #:

REF:

ELEV:

NOTES:

-ALL DIMENSIONS IN INCHES

-DRAWING NOT TO SCALE

DRAWN: D.BRANUM

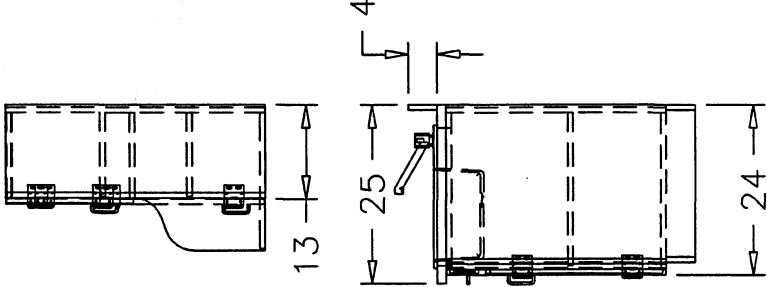
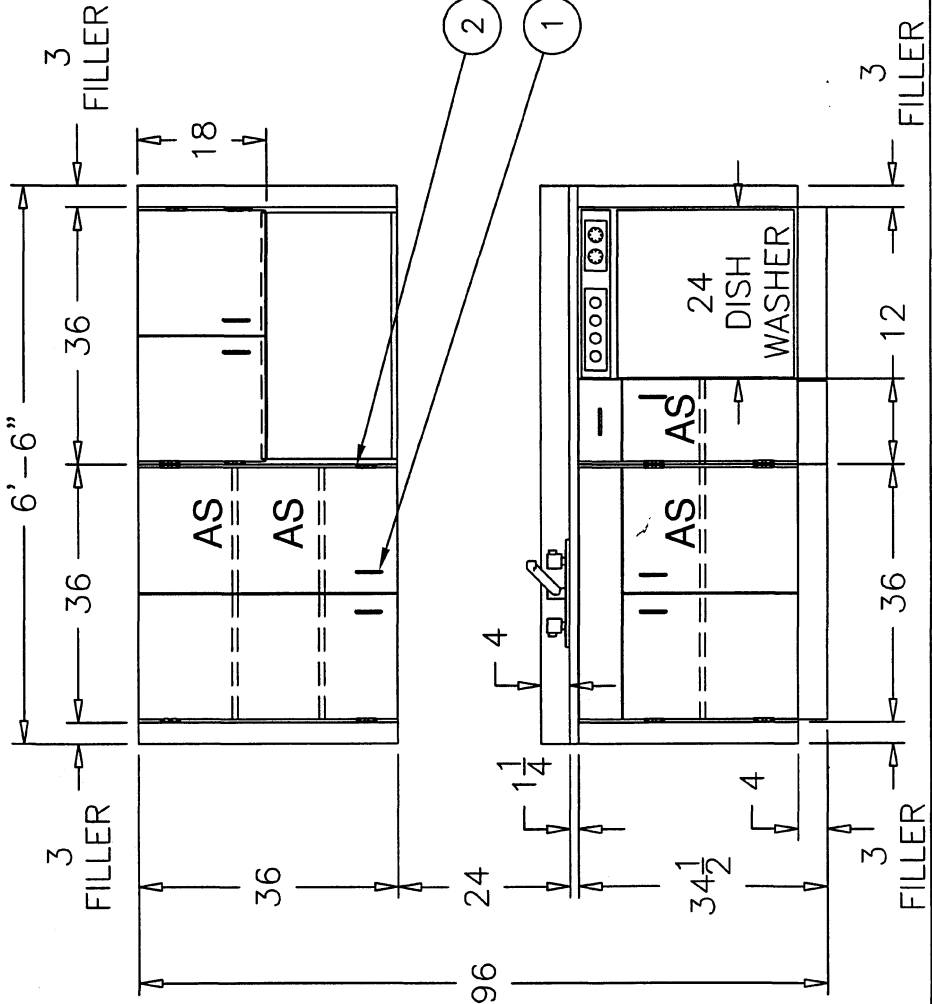
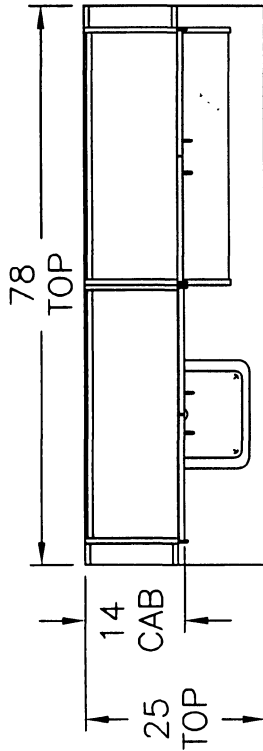
DATE: 1-3-03

DRAWING #:

1a

NO.	QTY	HLF PART NO.	DISCRIPTION
1	8	03-71-001-001	96mm BRUSHED CHROME D-PULL
2	14	03-24-374	5 KNUCKLE HINGE BRUSHED CHROME

LIST PRICE: \$2810



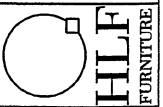
KITCHENETTE STATION #1

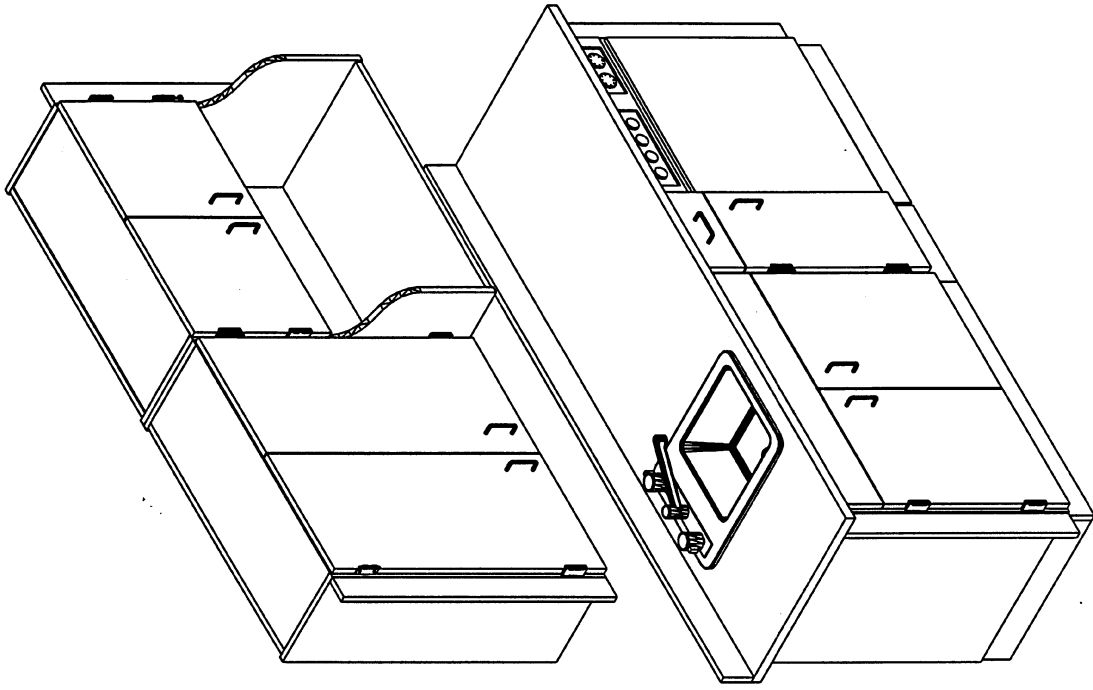
PROJECT: CASEWORK
DEALER: #

ACK #: #
REF.: #
ELEV.: #

NOTES:
-ALL DIMENSIONS IN INCHES
-DRAWING NOT TO SCALE

DRAWN: D.BRANUM
DATE: 1-2-03
DRAWING #: **1**





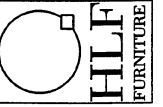
DRAWN: D. BRANUM
DATE: 1-2-03
DRAWING #: 1a

NOTES:
-ALL DIMENSIONS IN INCHES
-DRAWING NOT TO SCALE

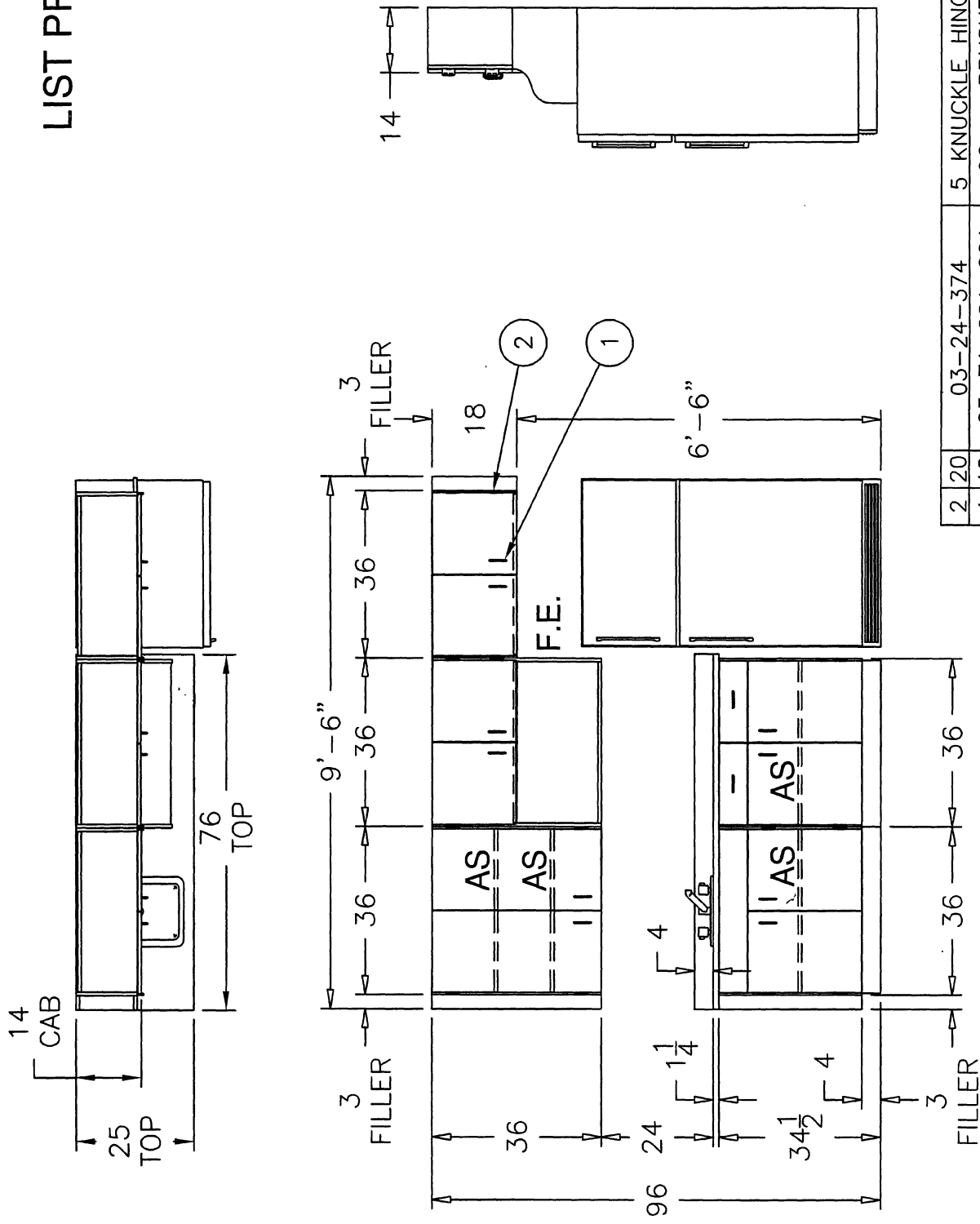
ACK #:
REF.:
ELEV.:

KITCHENETTE STATION #1

PROJECT: CASEWORK
DEALER: #



LIST PRICE: \$33375



NO.	QTY	HLF PART NO.	DESCRIPTION
2	20	03-24-374	5 KNUCKLE HINGE BRUSHED CHROME
1	12	03-71-001-001	96mm BRUSHED CHROME D-PULL

DRAWN: D.BRANUM
 DATE: 1-2-03
 DRAWING #: 2

ACK #:
 REF:
 ELEV: #

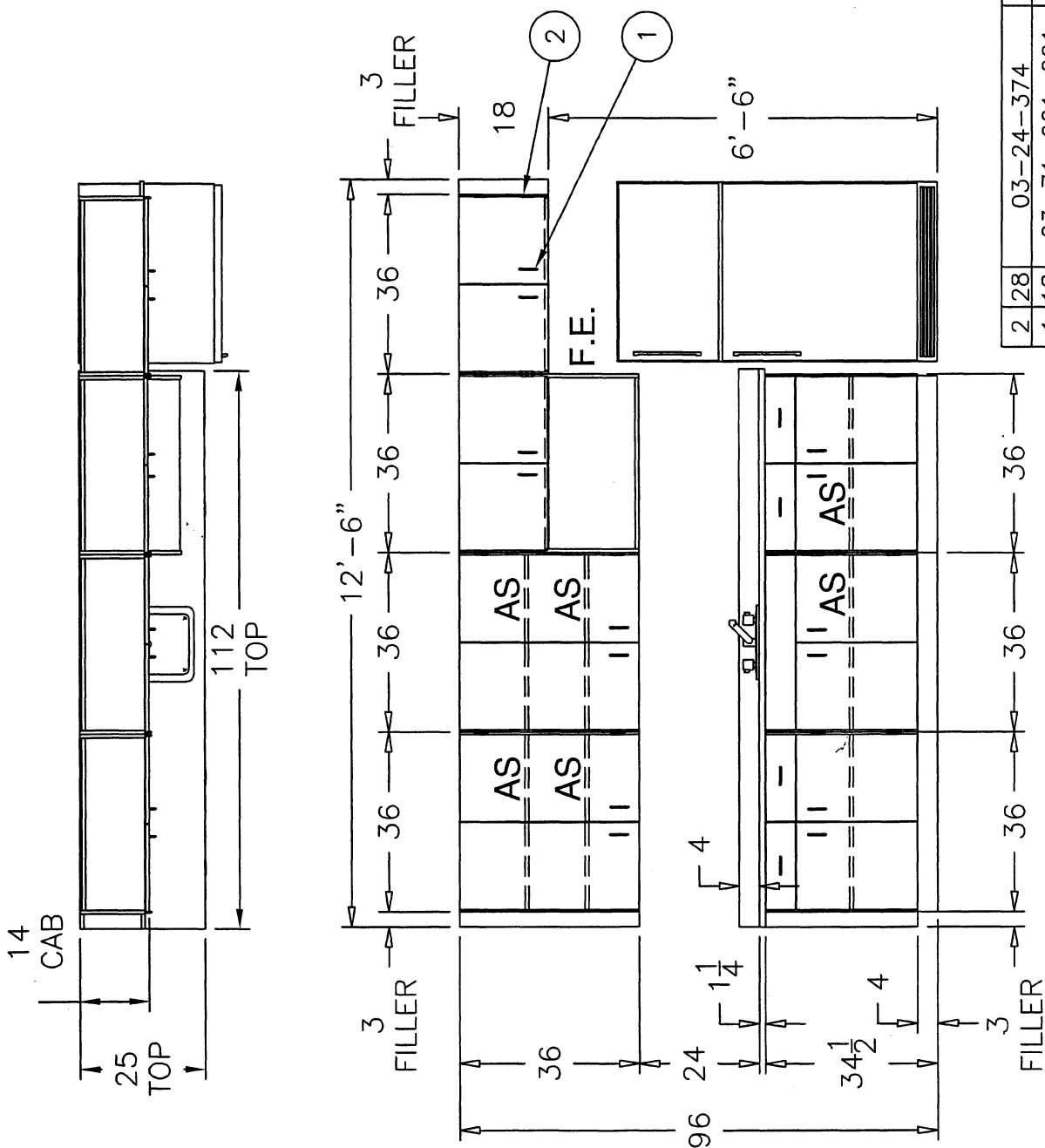
NOTES:
 -ALL DIMENSIONS IN INCHES
 -DRAWING NOT TO SCALE

KITCHENETTE STATION #2

PROJECT: CASEWORK
 DEALER: #



LIST PRICE: \$4700



2	28	03-24-374	5 KNUCKLE HINGE BRUSHED CHROME
1	18	03-71-001-001	96mm BRUSHED CHROME D-PULL
NO.	QTY	HLF PART NO.	DISCRIPTION

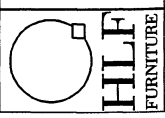
DRAWN: D.BRANUM
 DATE: 1-2-03
 DRAWING #: 3

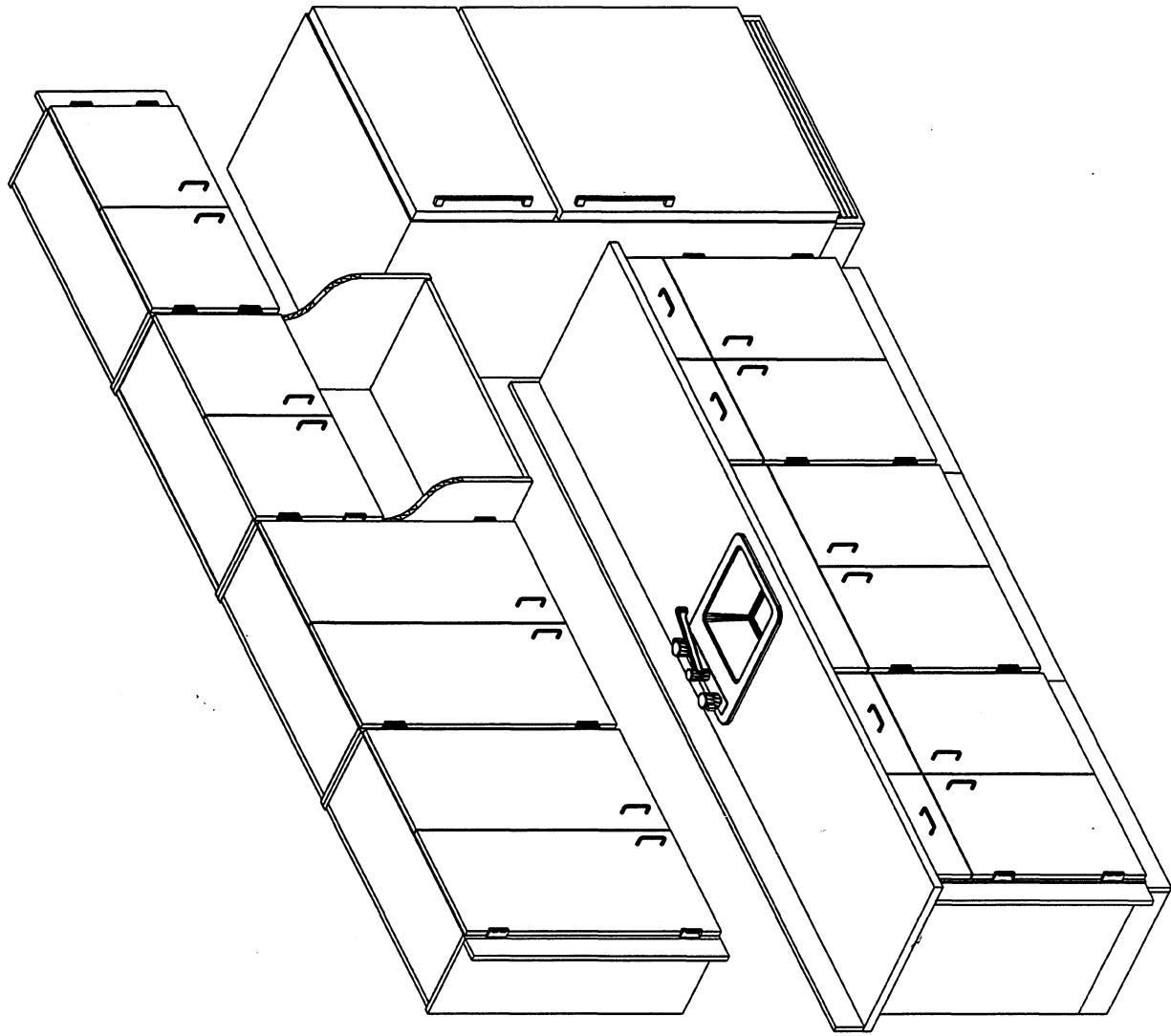
NOTES:
 -ALL DIMENSIONS IN INCHES
 -DRAWING NOT TO SCALE

ACK #:
 REF #:
 ELEV #:

KITCHENETTE STATION #3

PROJECT: CASEWORK
 DEALER: #





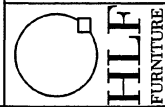
DRAWN: D.BRANUM
DATE: 1-2-03
DRAWING #: 3a

NOTES:
-ALL DIMENSIONS IN INCHES
-DRAWING NOT TO SCALE

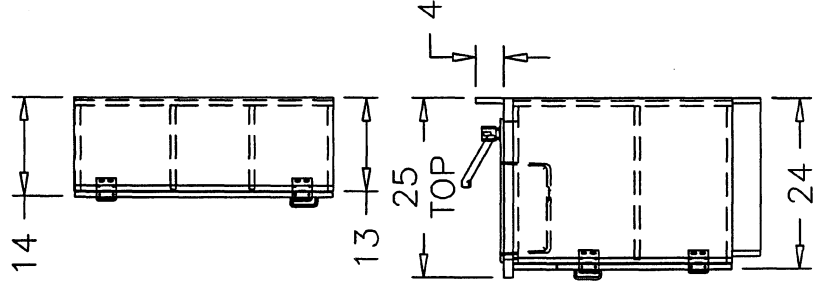
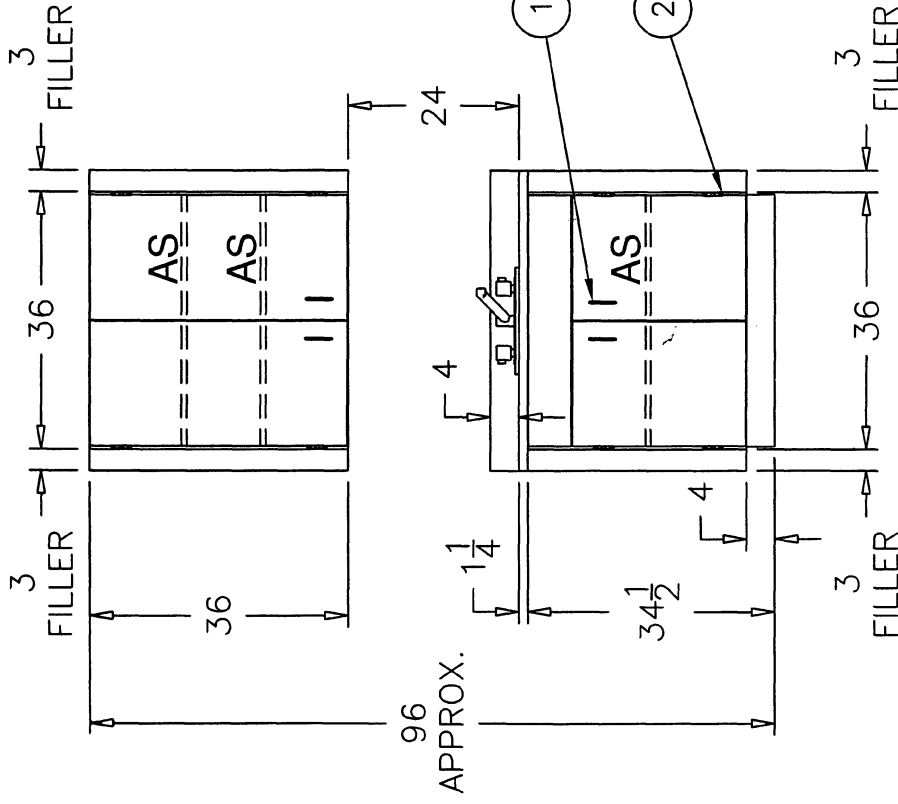
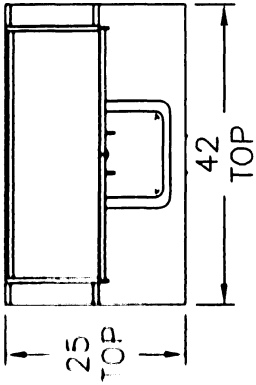
ACK #:
REF.:
ELEV.:

KITCHENETTE STATION #3

PROJECT: CASEWORK
DEALER: #



LIST PRICE: \$1415



2	8	03-24-374	5 KNUCKLE HINGE BRUSHED CHROME
1	4	03-71-001-001	96mm BRUSHED CHROME D-PULL
NO. QTY.		HLF PART NO.	DISCRIPTION

COFFEE STATION #1

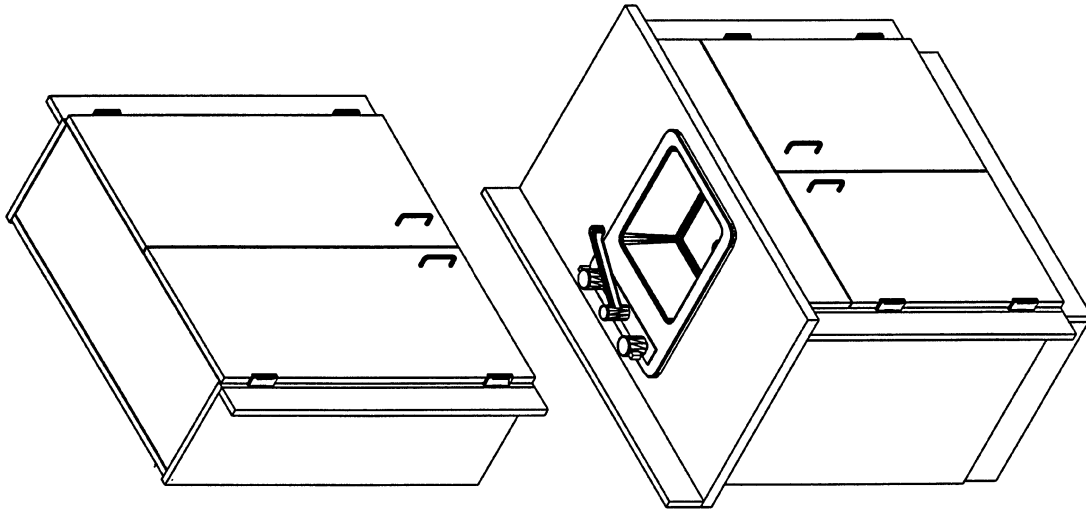
PROJECT: CASEWORK
DEALER: #

DRAWN: D.BRANUM
DATE: 12-31-02
DRAWING #: 1

NOTES:
-ALL DIMENSIONS IN INCHES
-DRAWING NOT TO SCALE

ACK #:
REF.:
ELEV.:





DRAWN: D.BRANUM
DATE: 12-31-02
DRAWING #: 1a

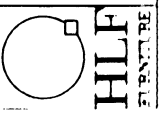
NOTES:
-ALL DIMENSIONS IN INCHES
-DRAWING NOT TO SCALE

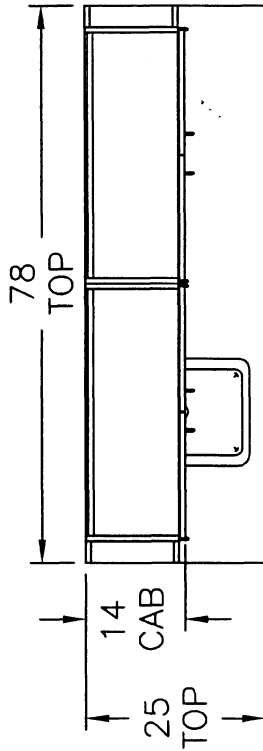
ACK #:
REF.:
ELEV.:

#

COFFEE STATION #1

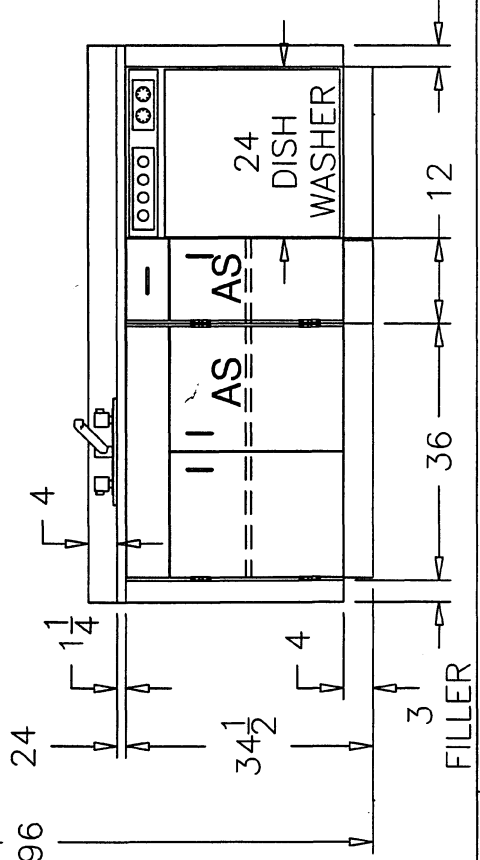
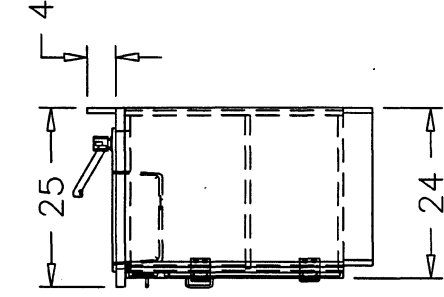
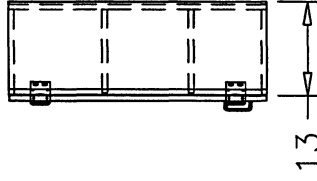
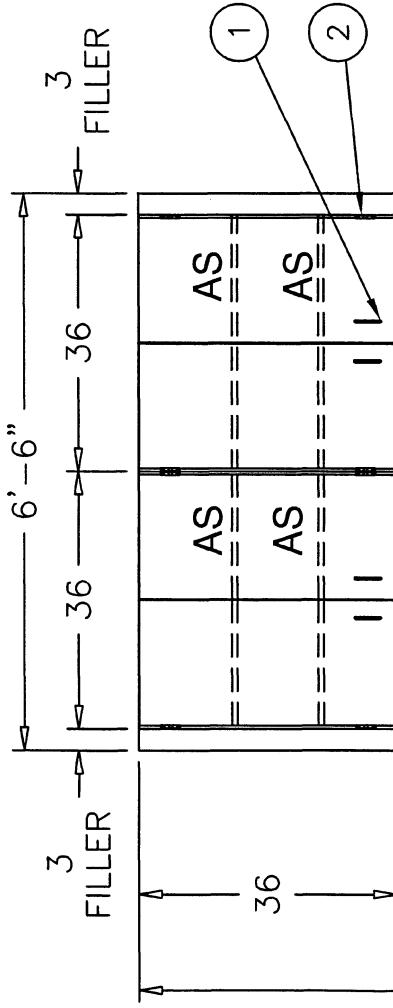
PROJECT: CASEWORK
DEALER:





NO.	QTY	HLF PART NO.	DISCRIPTION
1	9	03-71-001-001	96mm BRUSHED CHROME D-PULL
2	14	03-24-374	5 KNUCKLE HINGE BRUSHED CHROME

LIST PRICE: \$2525



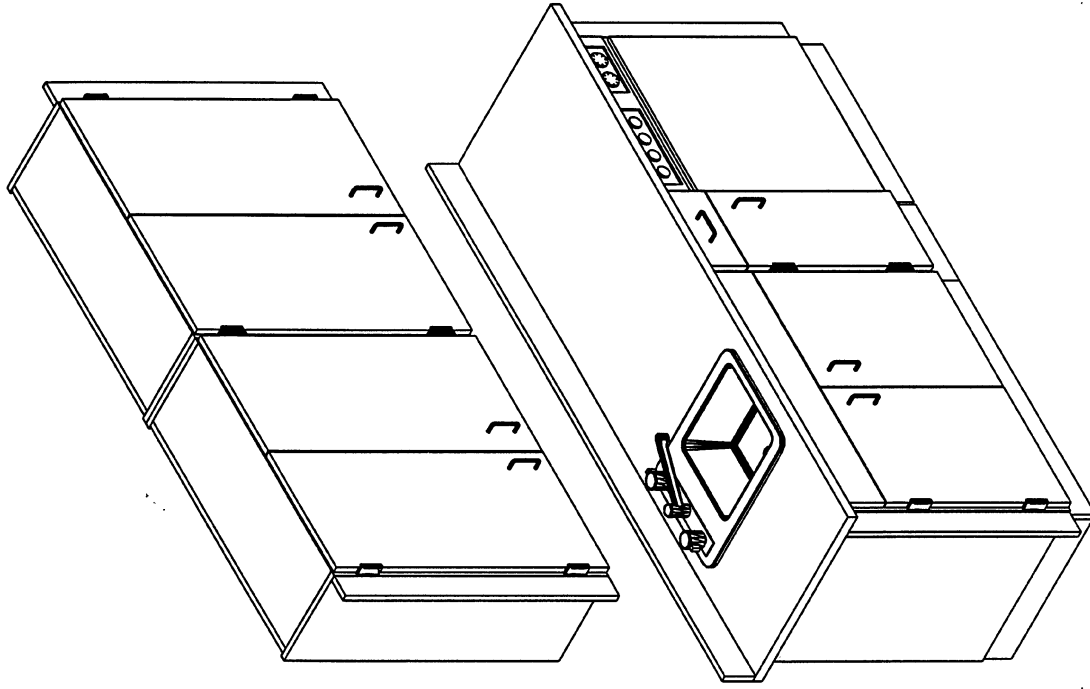
COFFEE STATION #2

PROJECT: CASEWORK
DEALER: #

ACK #:
REF:
ELEV.:

NOTES:
-ALL DIMENSIONS IN INCHES
-DRAWING NOT TO SCALE

DRAWN: D.BRANUM
DATE: 12-31-02
DRAWING #: **2**



DRAWN: D BRANUM
DATE: 12-31-02
DRAWING #: 2a

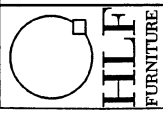
NOTES:
-ALL DIMENSIONS IN INCHES
-DRAWING NOT TO SCALE

ACK #:
REF.:
ELEV.:

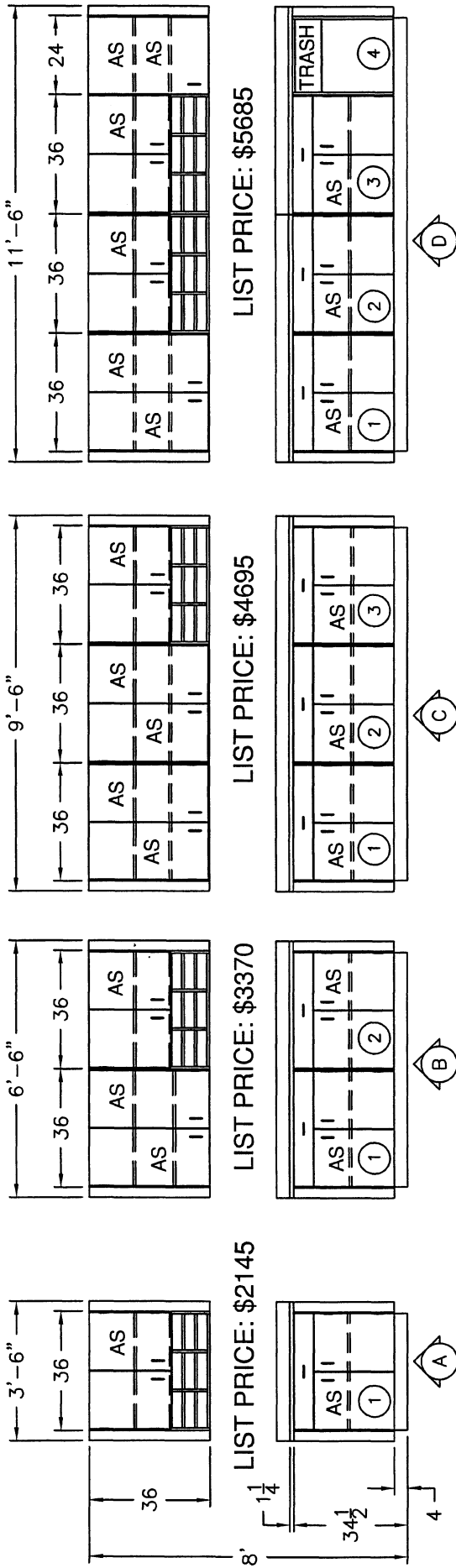
#

COFFEE STATION #2

PROJECT: CASEWORK
DEALER:



COPY/MAIL STATION



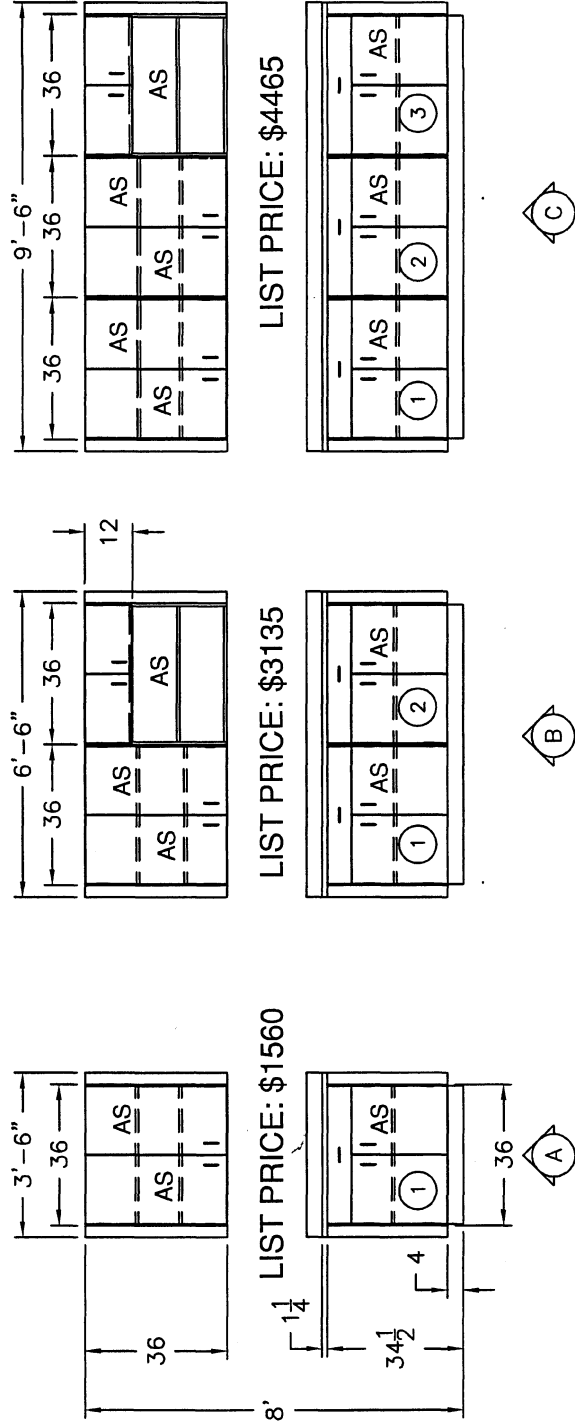
LIST PRICE: \$2145

LIST PRICE: \$3370

LIST PRICE: \$4695

LIST PRICE: \$5685

PRINTER/FAX STATION



LIST PRICE: \$1560

LIST PRICE: \$3135

LIST PRICE: \$4465



COPY/MAIL - PRINTER/FAX STATIONS

PROJECT: CASEWORK STANDARDS

DEALER:

ACK #:

REF.:

ELEV.:

NOTES:
-ALL DIMENSIONS IN INCHES

-DRAWING NOT TO SCALE

DRAWN: D.BRANUM
DATE: 1-3-03

DRAWING #:

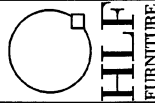
2

COPY/MAIL STATION OPTIONS:

- A - 3'-6" O.A.L.
1. BASE CABINET AND UPPER CABINET WITH (2) DOORS, ADJ. SHELF & MAIL SLOT UNIT
- FILLER PROVIDED
OPTION -1 (NOT SHOWN)
- BASE CABINET AND 24" UPPER CABINET MAIL SLOTS ONLY
- B - 6'-6" O.A.L.
1. BASE CABINET AND UPPER CABINET WITH ADJ. SHELVES.
2. BASE CABINET AND UPPER CABINET WITH (2) DOORS, ADJ. SHELF & MAIL SLOT UNIT
- FILLERS PROVIDED
OPTION -1 (NOT SHOWN)
- BASE CABINET AND 24" UPPER CABINET WITH ADJ. SHELF
- BASE CABINET AND 24" UPPER CABINET MAIL SLOTS ONLY
- C - 9'-6" O.A.L.
1. BASE CABINET AND UPPER CABINET WITH ADJ. SHELVES.
2. BASE CABINET AND UPPER CABINET WITH ADJ. SHELVES.
3. BASE CABINET AND UPPER CABINET WITH (2) DOORS, ADJ. SHELF & MAIL SLOT UNIT
- FILLERS PROVIDED
OPTION -1 (NOT SHOWN)
- BASE CABINET AND 24" OPEN UPPER CABINET WITH ADJ. SHELF
- BASE CABINET AND 24" OPEN UPPER CABINET WITH ADJ. SHELF
- BASE CABINET AND 24" UPPER CABINET MAIL SLOTS ONLY
- D - 11'-6" O.A.L.
1. BASE CABINET AND UPPER CABINET WITH ADJ. SHELVES.
2. BASE CABINET AND UPPER CABINET WITH (2) DOORS, ADJ. SHELF & MAIL SLOT UNIT
3. BASE CABINET AND UPPER CABINET WITH (2) DOORS, ADJ. SHELF & MAIL SLOT UNIT
4. BASE TRASH CAN CABINET AND UPPER CABINET WITH (1) DOOR
- FILLERS PROVIDED
OPTION -1 (NOT SHOWN)
- BASE CABINET AND 24" OPEN UPPER CABINET WITH ADJ. SHELF
- BASE CABINET AND 24" OPEN UPPER CABINET WITH ADJ. SHELF
- BASE CABINET AND 24" UPPER CABINET MAIL SLOTS ONLY
- BASE TRASH CAN CABINET AND 24" SINGLE DOOR UPPER CABINET

PRINTER/FAX STATION OPTIONS:

- A - 3'-6" O.A.L.
1. BASE CABINET AND UPPER CABINET WITH ADJ. SHELVES.
- FILLERS PROVIDED
- B - 6'-6" O.A.L.
1. BASE CABINET AND UPPER CABINET WITH ADJ. SHELVES.
2. BASE CABINET AND UPPER CABINET WITH (2) DOORS
AND ADJ. SHELVES
- FILLERS PROVIDED
- C - 9'-6" O.A.L.
1. BASE CABINET AND UPPER CABINET WITH ADJ. SHELVES
2. BASE CABINET AND UPPER CABINET WITH ADJ. SHELVES
3. BASE CABINET AND UPPER CABINET WITH (2) DOORS
AND ADJ. SHELVES
- FILLERS PROVIDED



COPY/MAIL - PRINTER/FAX NOTES

PROJECT: CASEWORK STANDARDS

DEALER:

ACK #:

REF:

ELEV.:

#

NOTES:

-ALL DIMENSIONS IN INCHES

-DRAWING NOT TO SCALE

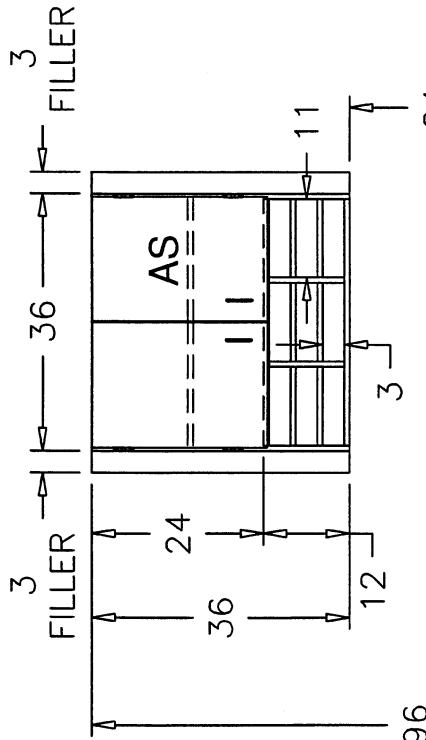
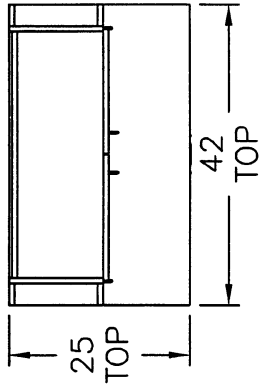
DRAWN: D.BRANUM

DATE: 1-3-03

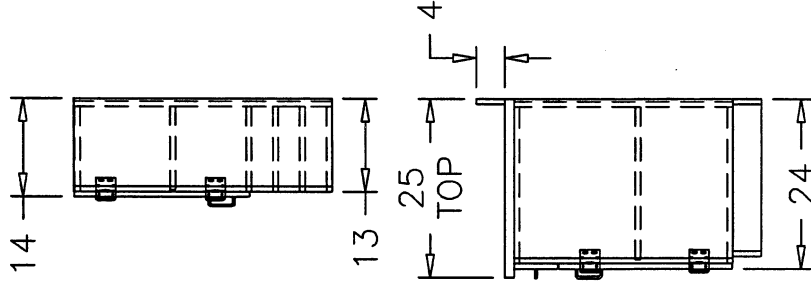
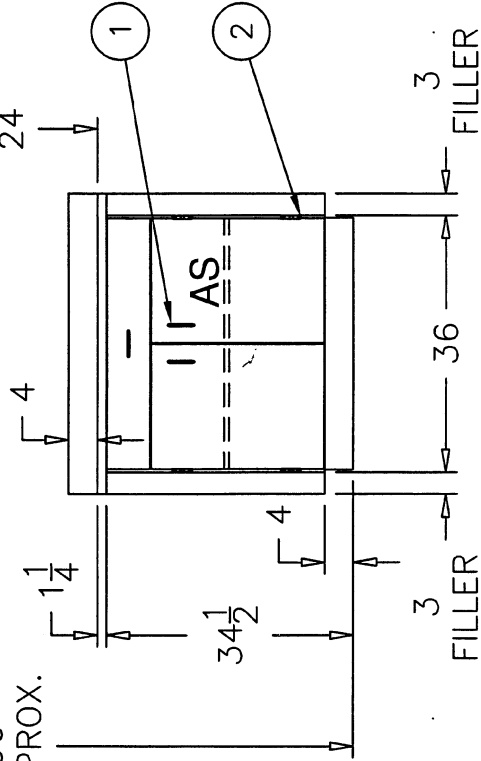
DRAWING #:

2a

LIST PRICE: \$2145



APPROX.
96



2	8	03-24-374	5	5	5	KNUCKLE HINGE BRUSHED CHROME
1	5	03-71-001-001	96mm	5	5	BRUSHED CHROME D-PULL
NO. QTY		HLF PART NO.		DISCRIPTION		

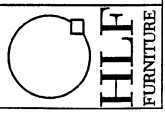
COPY/MAIL STATION #1

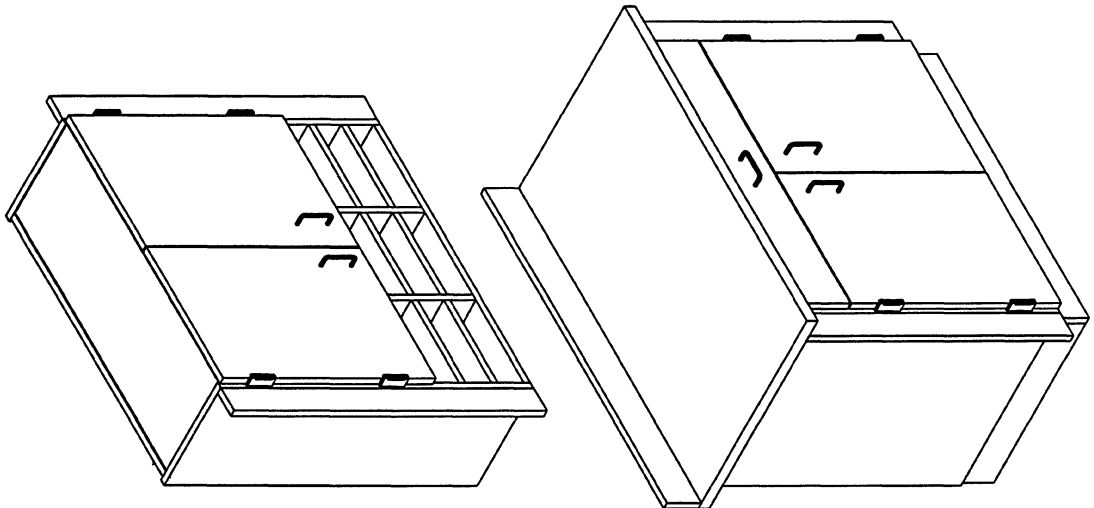
PROJECT: CASEWORK
DEALER: #

DRAWN: D.BRANUM
DATE: 10-28-02
DRAWING #: 1

NOTES:
-ALL DIMENSIONS IN INCHES
-DRAWING NOT TO SCALE

ACK #:
REF.:
ELEV.:





DRAWN: D. BRANUM
DATE: 10-28-02
DRAWING #: 1a

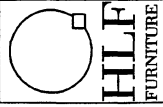
NOTES:
-ALL DIMENSIONS IN INCHES
-DRAWING NOT TO SCALE

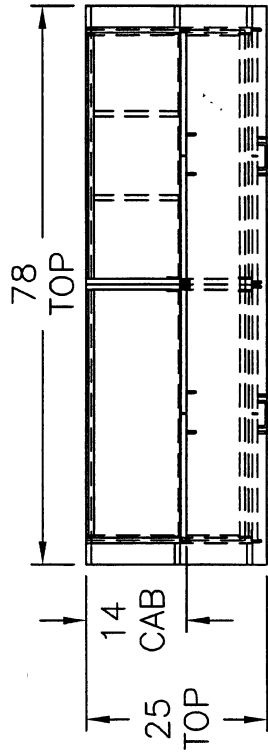
ACK #:
REF.:
ELEV.:

#

COPY/MAIL STATION #1

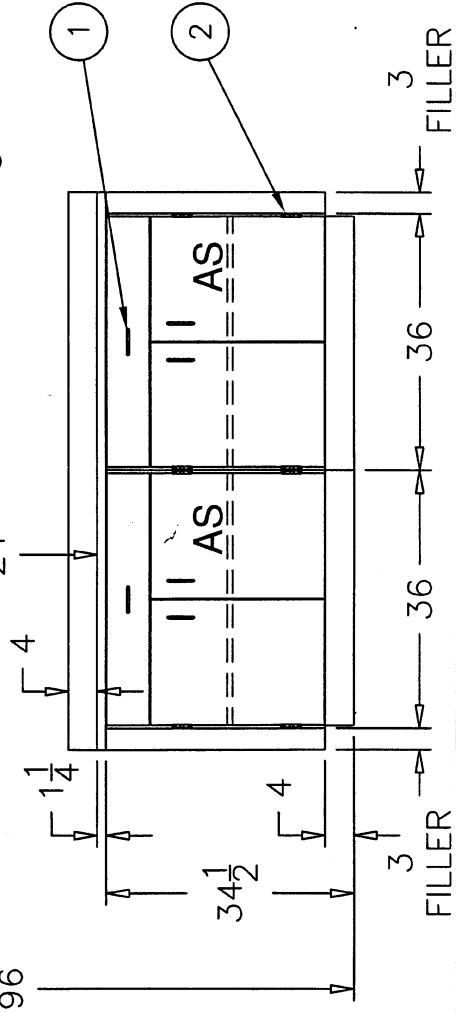
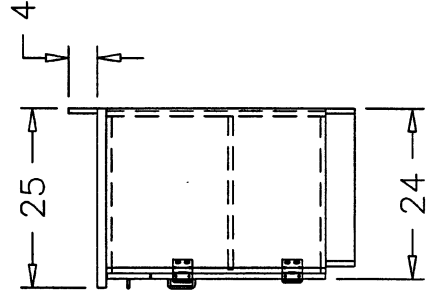
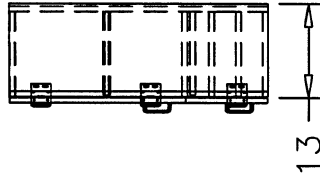
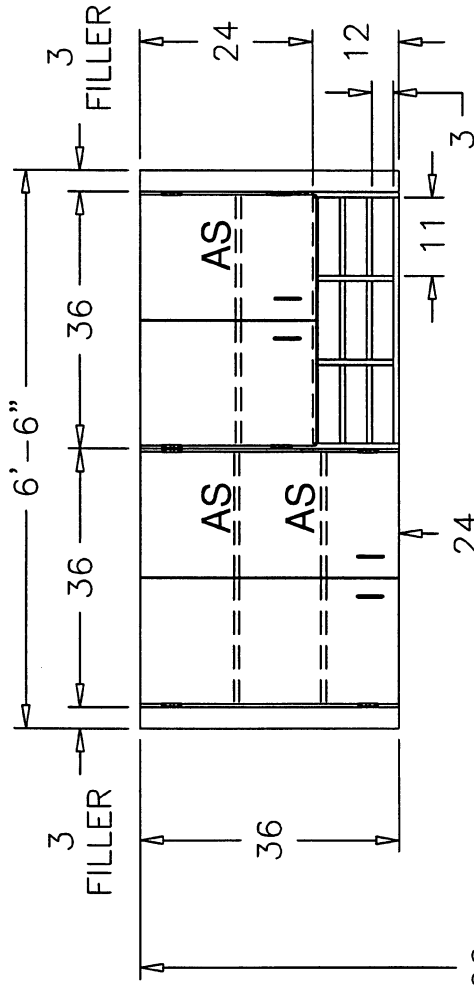
PROJECT: CASEWORK
DEALER:





NO. QTY	HLF PART NO.	DISCRIPTION
1	8 03-71-001-001	96mm BRUSHED CHROME D-PULL
2	16 03-24-374	5 KNUCKLE HINGE BRUSHED CHROME

LIST PRICE: \$3370



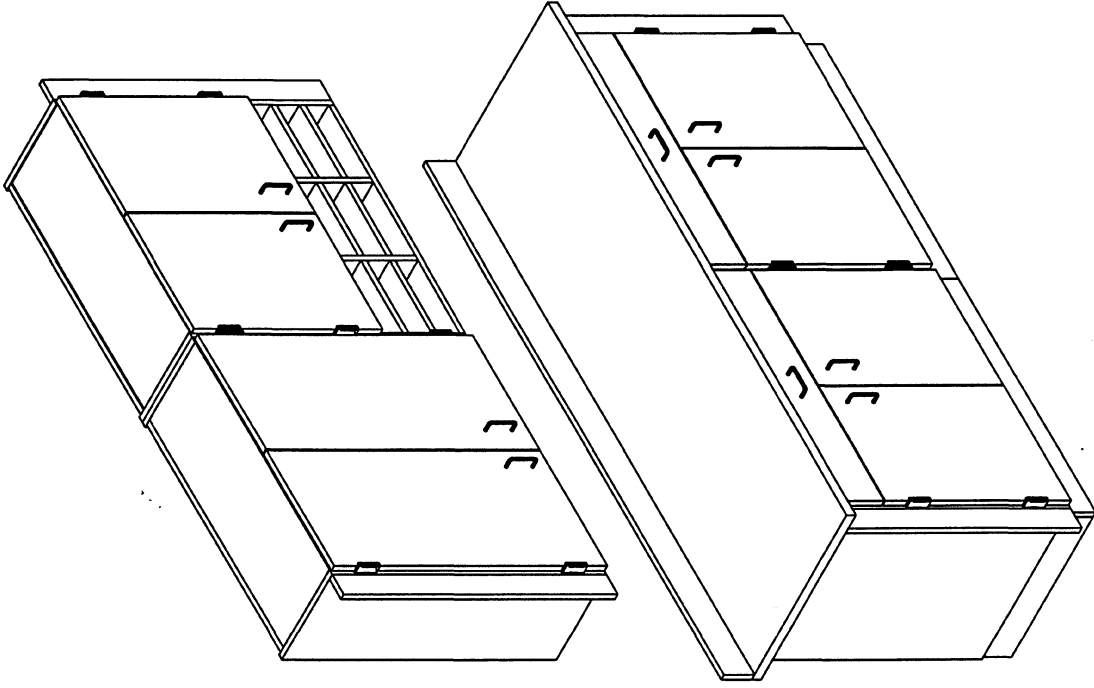
COPY/MAIL STATION #2

PROJECT: CASEWORK
DEALER: #

ACK #: #
REF.: #
ELEV.: #

NOTES:
-ALL DIMENSIONS IN INCHES
-DRAWING NOT TO SCALE

DRAWN: D.BRANUM
DATE: 10-28-02
DRAWING #: 2



COPY/MAIL STATION - #2

PROJECT: CASEWORK
DEALER:

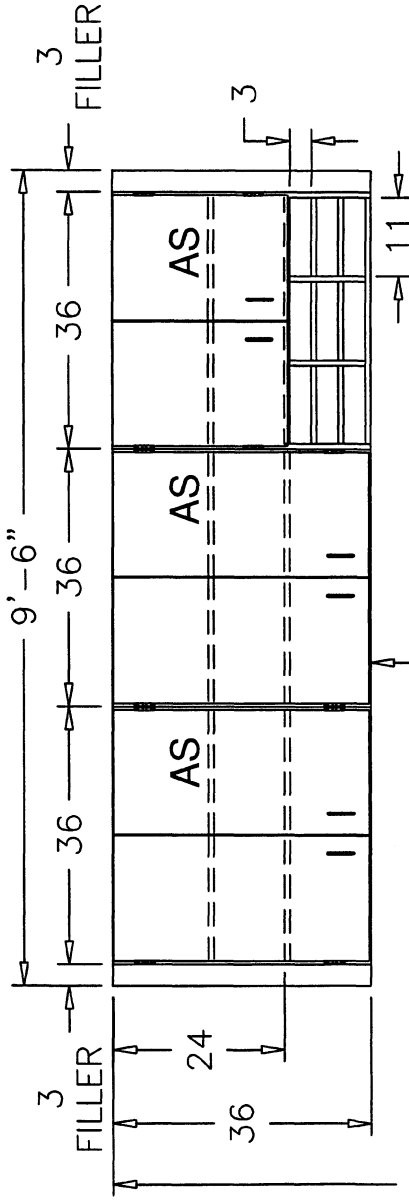
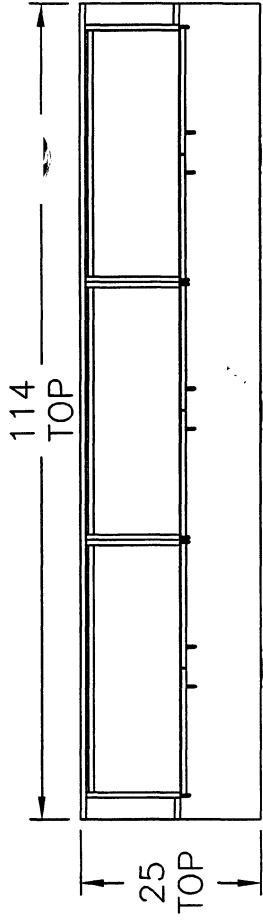
ACK #:
REF.:
ELEV.:

NOTES:
-ALL DIMENSIONS IN INCHES
-DRAWING NOT TO SCALE

DRAWN: D.BRANUM
DATE: 10-28-02
DRAWING #: **2a**

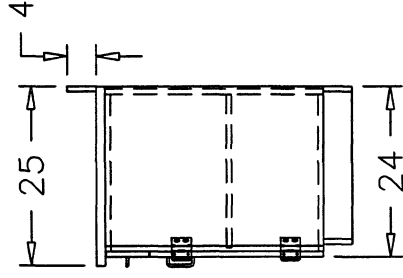
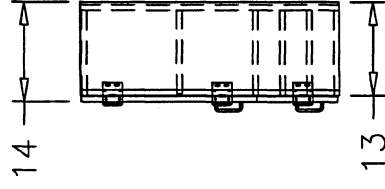
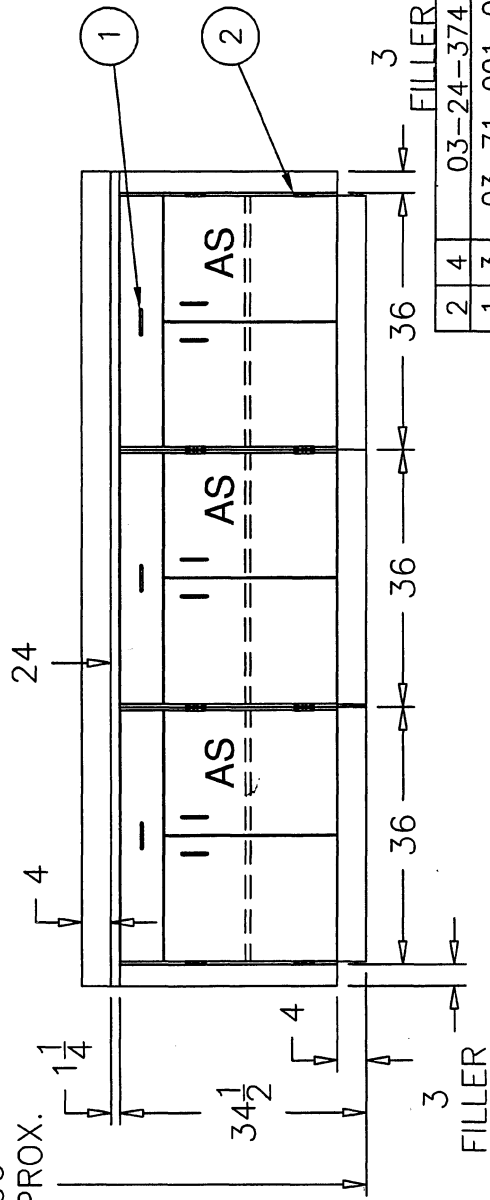


LIST PRICE: \$4695



96

APPROX.



NO.	QTY	HLF PART NO.	DESCRIPTION
2	4	03-24-374	5 KNUCKLE HINGE BRUSHED CHROME
1	3	03-71-001-001	96mm BRUSHED CHROME D-PULL

DRAWN: D.BRANUM
DATE: 10-28-02
DRAWING #: 3

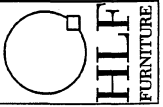
NOTES:
-ALL DIMENSIONS IN INCHES
-DRAWING NOT TO SCALE

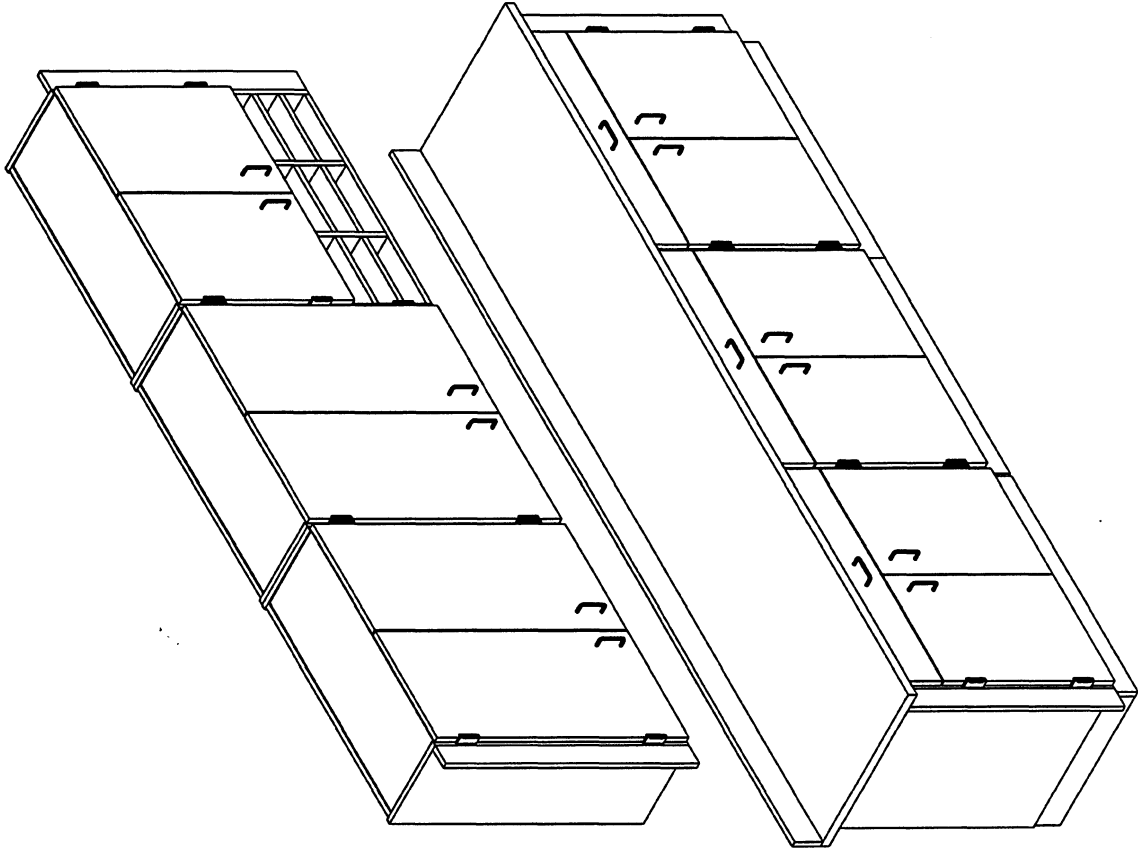
ACK #:
REF.:
ELEV.:

#

COPY/MAIL STATION #3

PROJECT: CASEWORK
DEALER:





DRAWN: D. BRANUM
DATE: 10-28-02

DRAWING #:
3a

NOTES:
-ALL DIMENSIONS IN INCHES
-DRAWING NOT TO SCALE

ACK #:
REF.:
ELEV.:

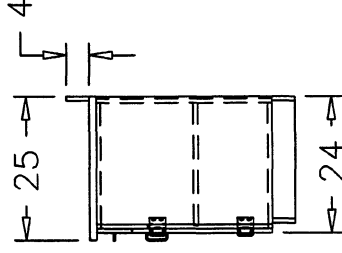
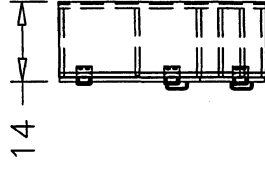
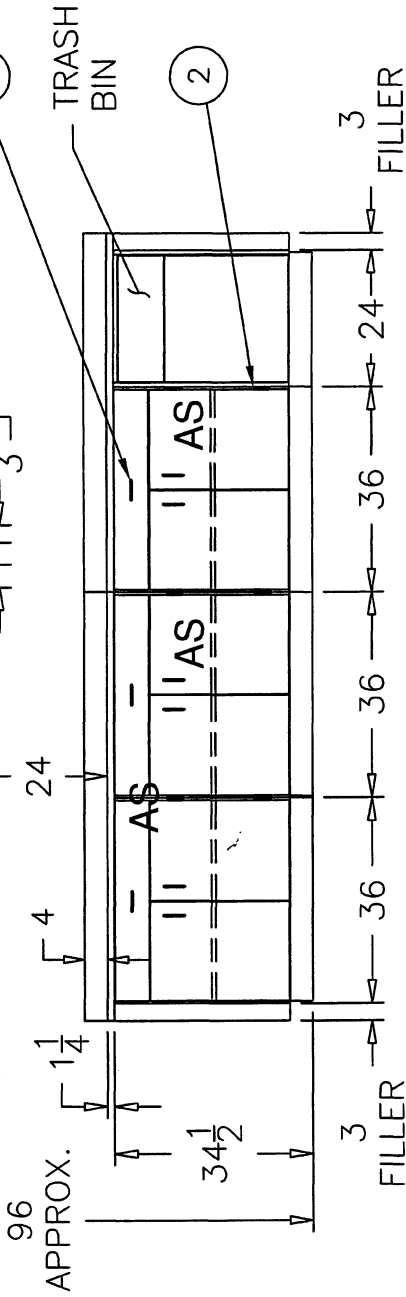
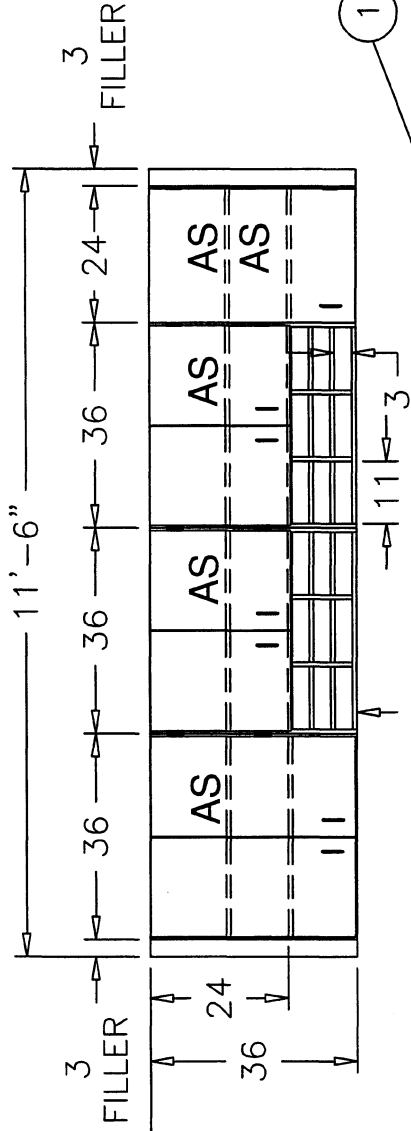
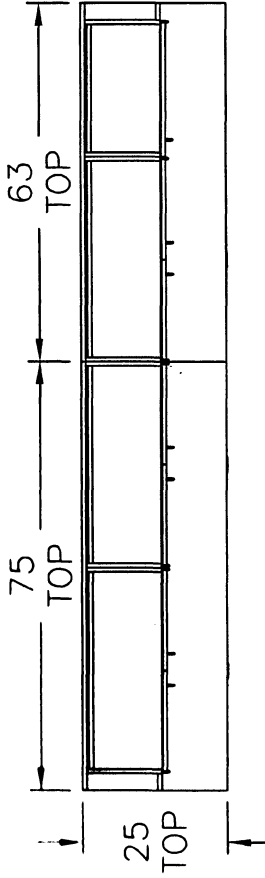
#

COPY/MAIL STATION #3

PROJECT: CASEWORK
DEALER:



LIST PRICE: \$5685



2	26	03-24-374	5 KNUCKLE HINGE BRUSHED CHROME
1	16	03-71-001-001	96mm BRUSHED CHROME D-PULL
NO. QTY		HLF PART NO.	DISCRIPTION

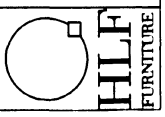
DRAWN: D.BRANUM
 DATE: 10-29-02
 DRAWING #: 4

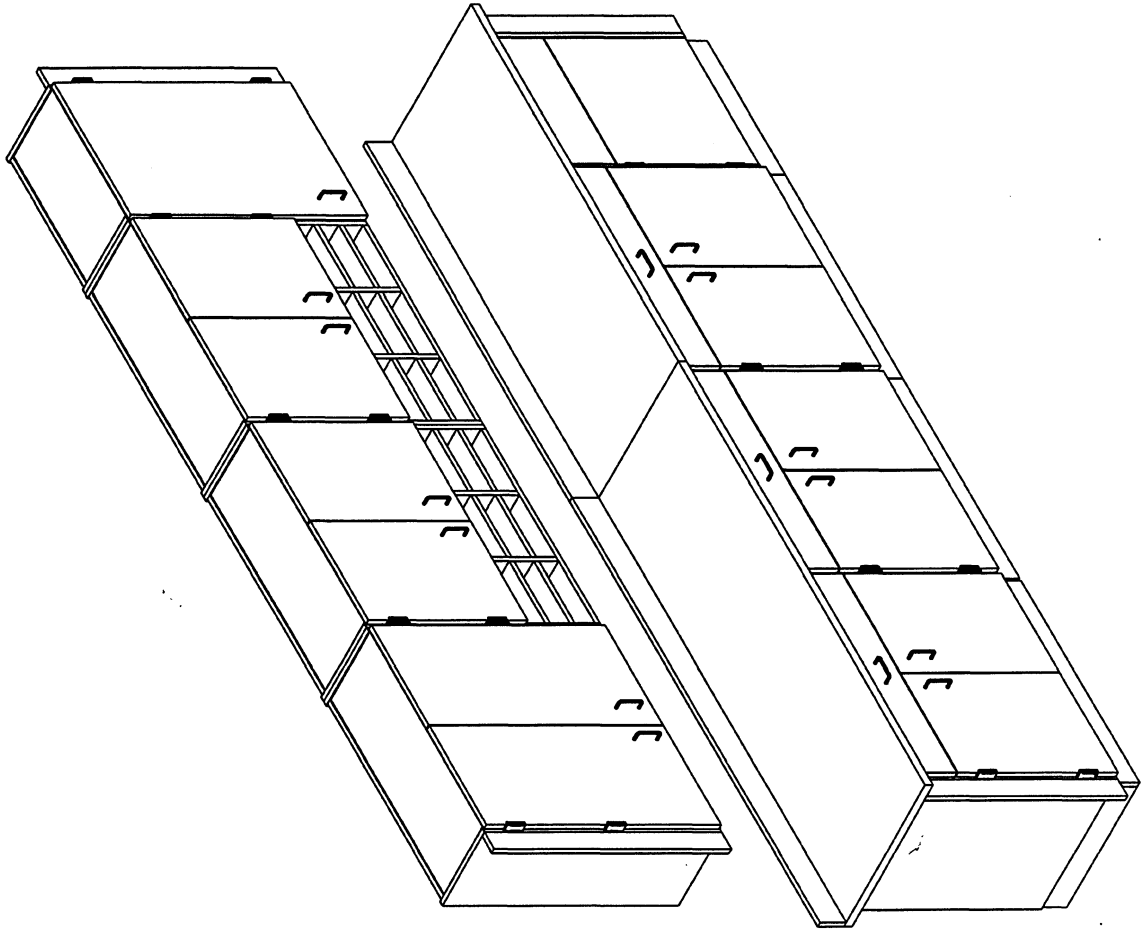
NOTES:
 -ALL DIMENSIONS IN INCHES
 -DRAWING NOT TO SCALE

ACK #:
 REF. #:
 ELEV.:

COPY/MAIL STATION #4

PROJECT: CASEWORK
 DEALER:





DRAWN: D. BRANUM
DATE: 10-29-02
DRAWING #: 4a

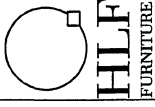
NOTES:
-ALL DIMENSIONS IN INCHES
-DRAWING NOT TO SCALE

ACK #:
REF.:
ELEV.:

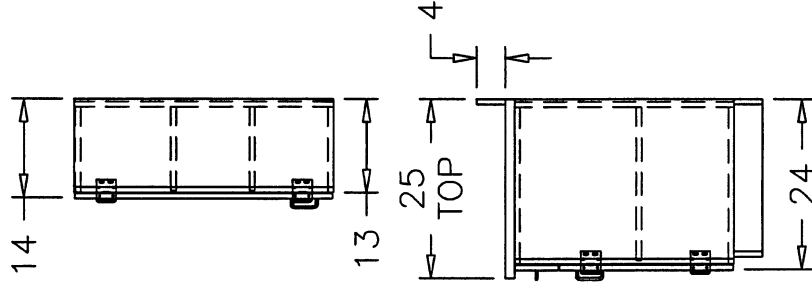
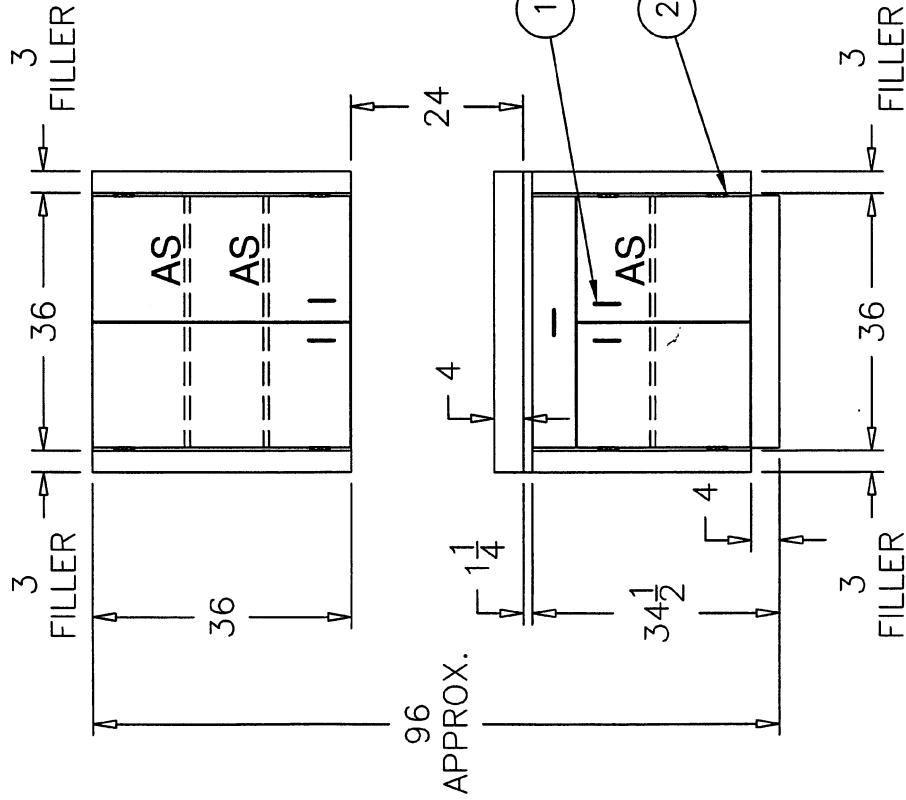
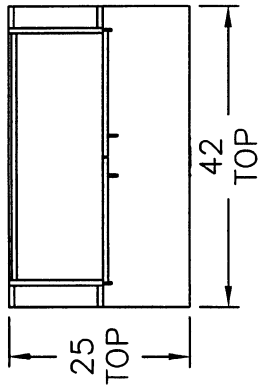
#

COPY/MAIL STATION #4

PROJECT: CASEWORK
DEALER:



LIST PRICE: \$1560



NO.	QTY.	HLF PART NO.	DISCRIPTION
2	8	03-24-374	5 KNUCKLE HINGE BRUSHED CHROME
1	5	03-71-001-001	96mm BRUSHED CHROME D-PULL

DRAWN: D.BRANUM
 DATE: 12-30-02
 DRAWING #: 1

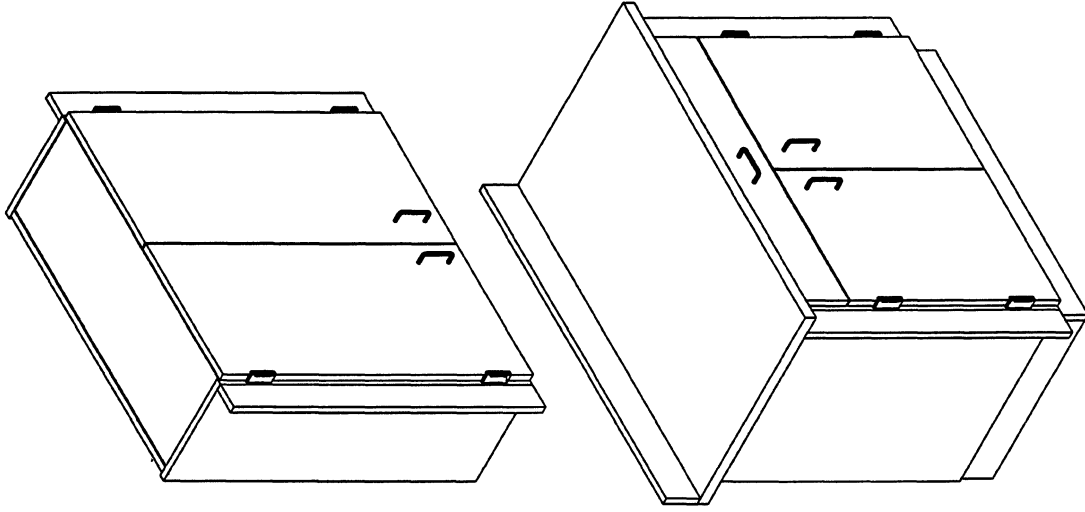
ACK #:
 REF.:
 ELEV.:

NOTES:
 -ALL DIMENSIONS IN INCHES
 -DRAWING NOT TO SCALE

PRINTER/FAX STATION #1

PROJECT: CASEWORK
 DEALER: #





DRAWN: D.BRANUM
DATE: 12-30-02
DRAWING #:

1a

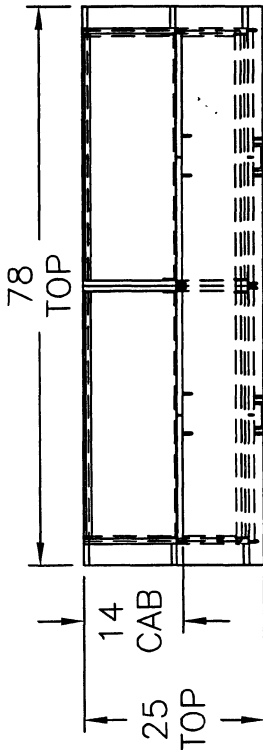
NOTES:
-ALL DIMENSIONS IN INCHES
-DRAWING NOT TO SCALE

ACK #:
REF.:
ELEV.:

PRINTER/FAX STATION #1

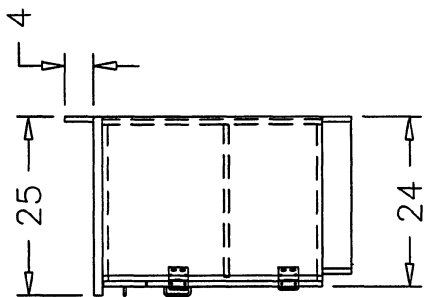
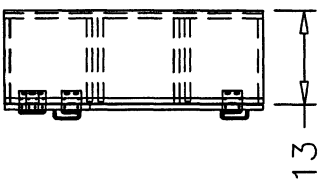
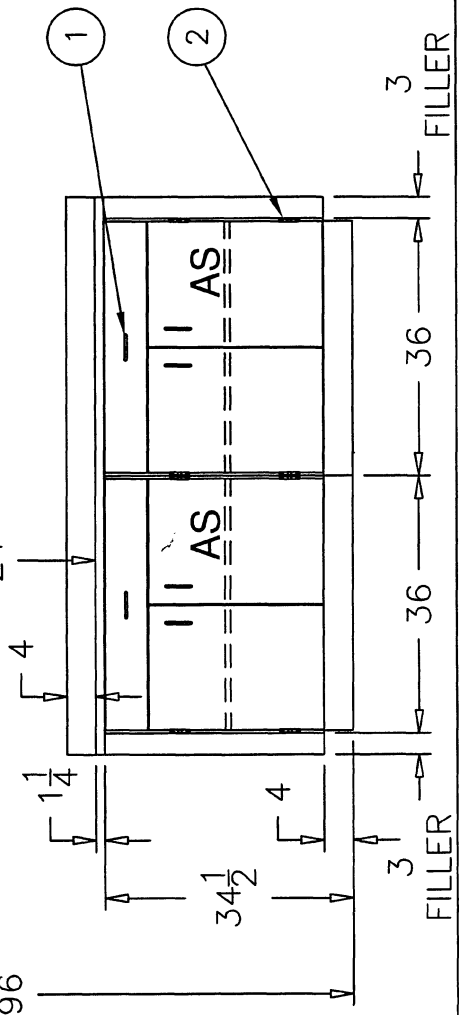
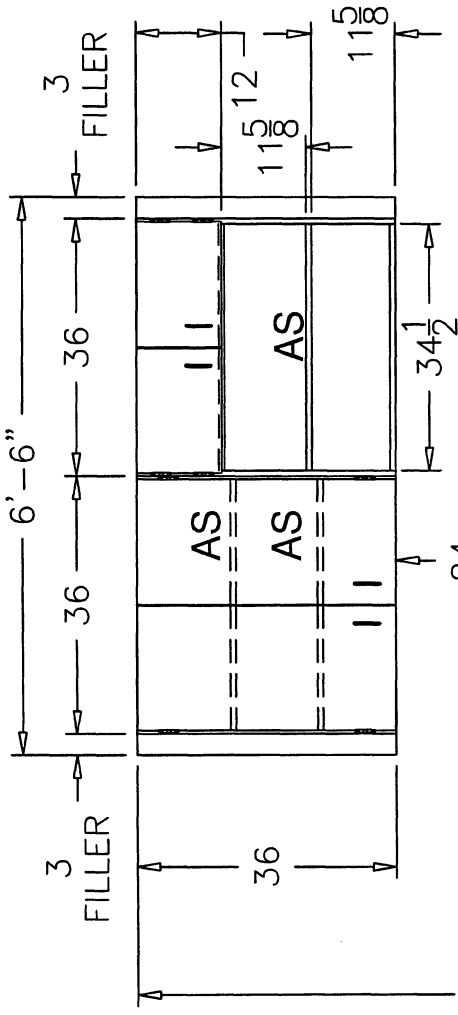
PROJECT: CASEWORK
DEALER: #





NO. QTY	HLF PART NO.	DISCRIPTION
1	03-71-001-001	96mm BRUSHED CHROME D-PULL
2	03-24-374	5 KNUCKLE HINGE BRUSHED CHROME

LIST PRICE: \$3135



PRINTER/FAX STATION #2

PROJECT: CASEWORK
DEALER: #

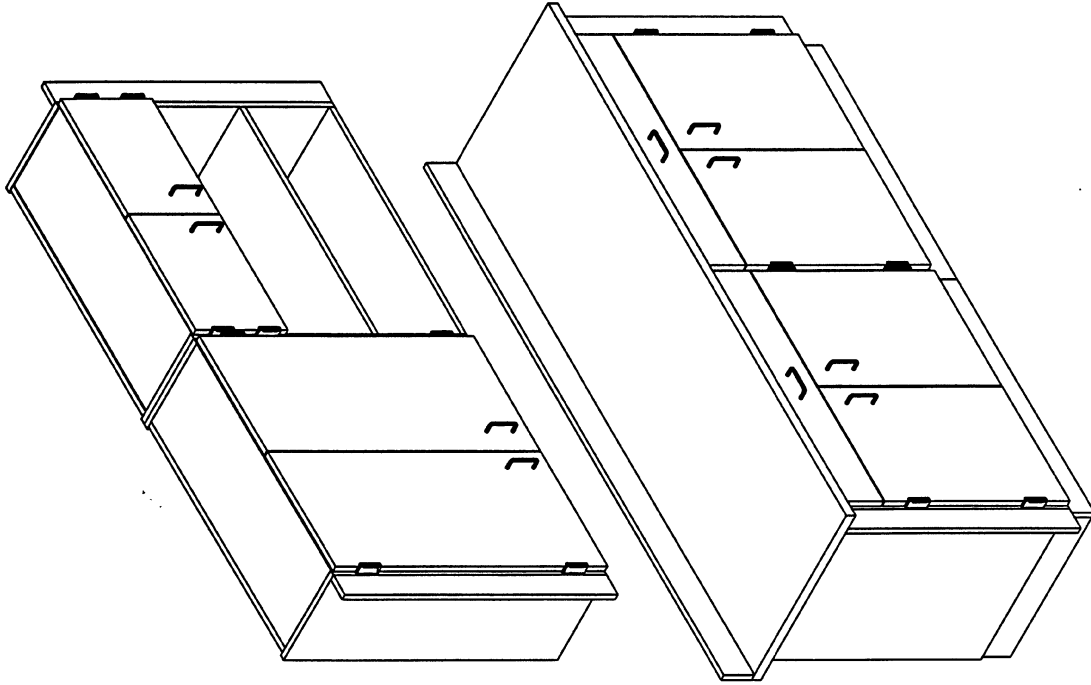
DRAWN: D.BRANUM
DATE: 12-30-02

NOTES:
-ALL DIMENSIONS IN INCHES
-DRAWING NOT TO SCALE

ACK #:
REF.:
ELEV.:

DRAWING #: 2





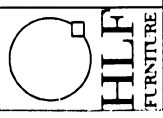
DRAWN: D.BRANUM
DATE: 12-30-02
DRAWING #: 2a

NOTES:
-ALL DIMENSIONS IN INCHES
-DRAWING NOT TO SCALE

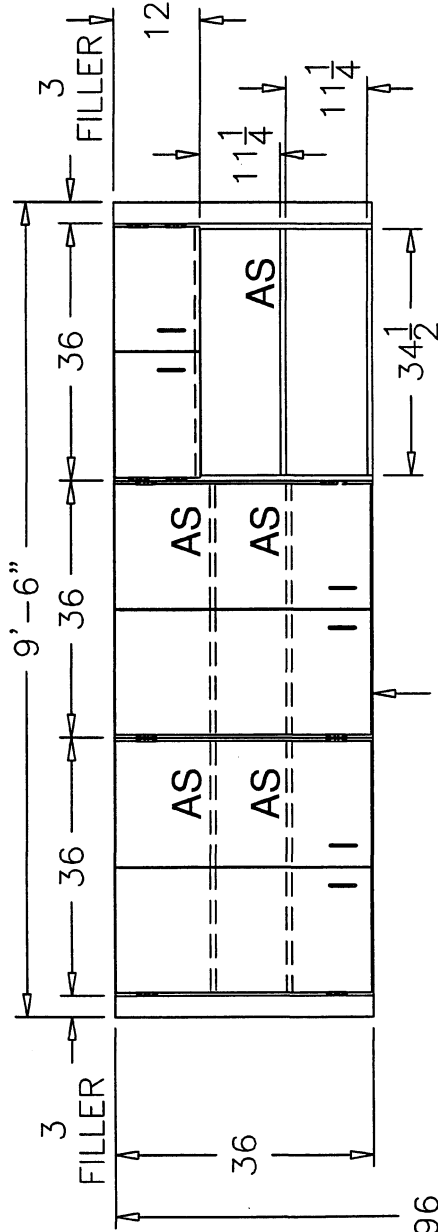
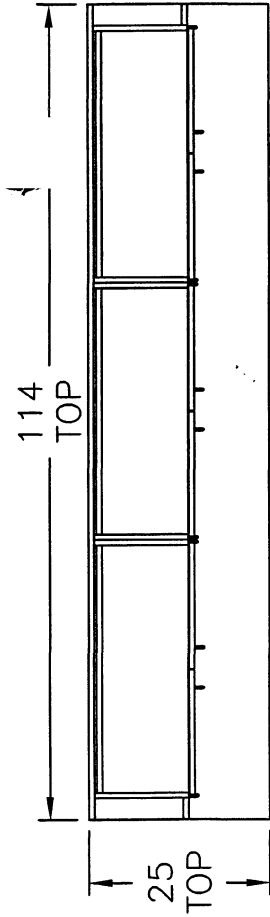
ACK #:
REF.:
ELEV.:

PRINTER/FAX STATION #2

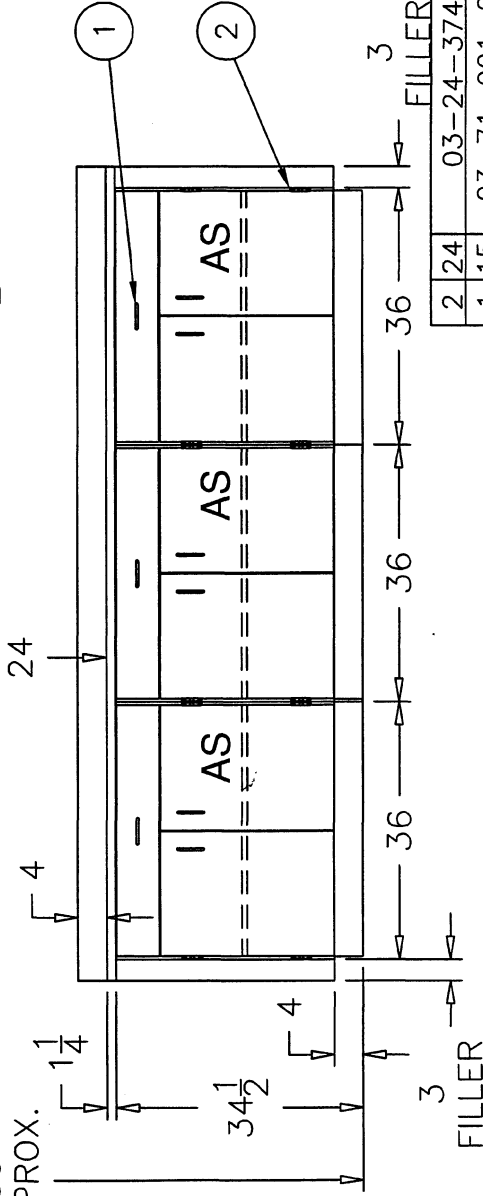
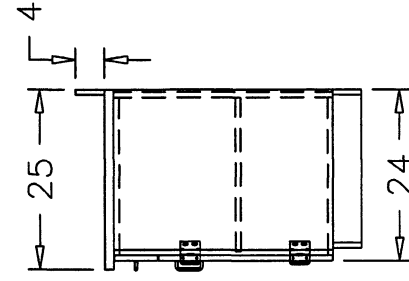
PROJECT: CASEWORK
DEALER: #



LIST PRICE: \$4465



96
APPROX.



NO. QTY		HLF PART NO.	DISCRIPTION
2	24	03-24-374	5 KNUCKLE HINGE BRUSHED CHROME
1	15	03-71-001-001	96mm BRUSHED CHROME D-PULL

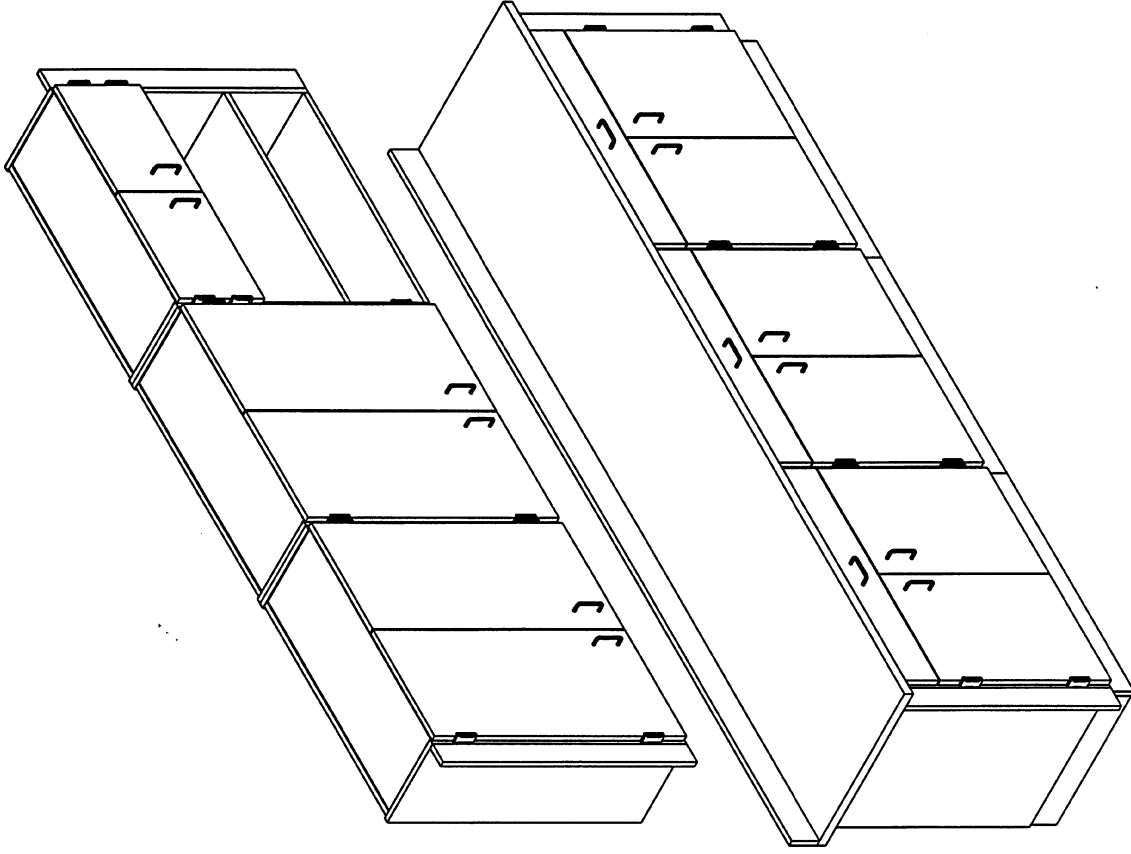
PRINTER/FAX STATION #3

PROJECT: CASEWORK
DEALER: #

DRAWN: D.BRANUM
DATE: 12-31-02
DRAWING #: 3

NOTES:
-ALL DIMENSIONS IN INCHES
-DRAWING NOT TO SCALE





PRINTER/FAX STATION #3

PROJECT: CASEWORK
DEALER: #

ACK #:
REF.:
ELEV.:

NOTES:
-ALL DIMENSIONS IN INCHES
-DRAWING NOT TO SCALE

DRAWN: D.BRANUM
DATE: 1-02-03
DRAWING #: **3a**

